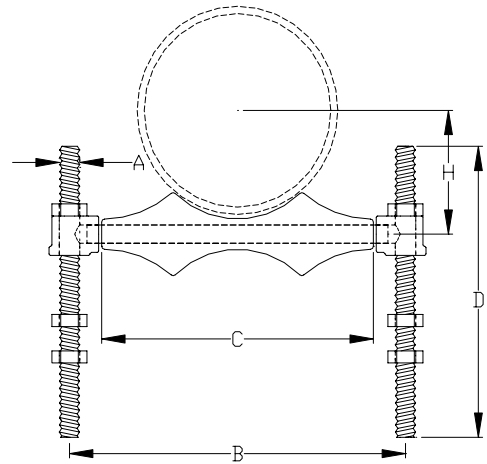
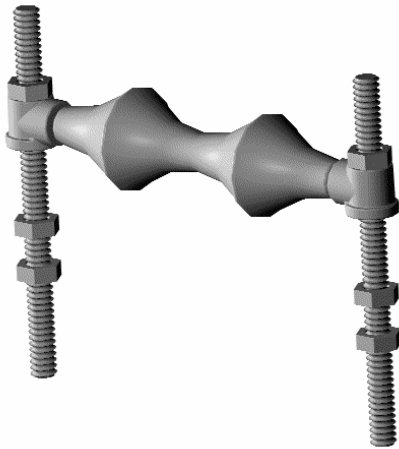


PART# 540

Pipe Roll Adjustable Pipe Roll Support



SIZE RANGE: 1" to 30" inch pipe.

MATERIAL: Cast iron roll and sockets, Carbon Steel roll rod, continuous thread rods and hex nuts.

FINISH: Black, Galvanized, or coated to customer specifications.

SERVICE: For support of pipe where horizontal movement due to expansion and contraction may occur and where vertical adjustment up to 6 inches may be required.

APPROVALS: Complies with MSS-SP-69 (Type 41).

HOW TO SIZE: If roll is to support bare pipe, select the size directly from nominal pipe size. If used with a pipe covering select O.D. of protection saddle.

ORDERING: Specify size of roll, part number and name. Be sure to order oversized rolls when insulation and protection

Load (lbs) • Weight (lbs) • Dimensions (inches)

Pipe size	Weight	Rod size A	B	C	D	H
1	1.1	3/8	3	1 1/2	12	1 1/16
1 1/4	1.2		3 3/8	1 7/8		1 1/4
1 1/2	1.2		3 5/8	2 1/8		1 3/8
2	1.3		4 1/8	2 5/8		1 5/8
2 1/2	2.3	1/2	4 7/8	3 1/8		1 15/16
3	2.4		5 1/2	3 3/4		2 1/4
3 1/2	2.7		6 1/8	4 1/4		2 9/16
4	3.8		6 3/4	4 3/4		2 13/16
5	4.7	5/8	8 1/16	5 13/16		3 7/16
6	7.6		9 9/16	6 7/8		4
8	11		11 15/16	8 7/8		5 1/8
10	13.7		14 1/16	11		6 3/8
12	19.4	3/4	15 13/16	12 1/2	7 7/16	
14	31.2		17 3/4	14 1/4	8 3/8	
16	42.5		19 3/4	16 1/4	9 7/16	
18	46.6		21 7/8	18 1/4	10 1/2	
20	66.2	1 1/4	24 1/4	20 1/4	18	11 5/8
24	102.5		28 5/8	24 1/4		14
30	186.8	1 1/2	35 1/2	30 1/4	24	17 7/16