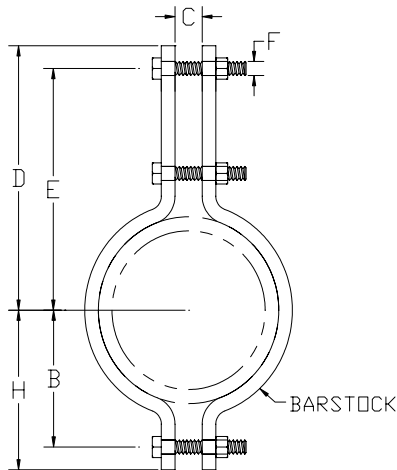


Alloy Double Bolt Pipe Clamp

Part # 310A



SIZE RANGE: 1 1/2" to 24" inches.

MATERIAL TYPES: Chrome molybdenum steel (ASTM A-387 Grade 22).

FINISH: Black, Galvanized, or coated to customer specifications.

APPLICATIONS: Recommended for suspension of high temperature pipe requiring insulation.

APPROVALS: Complies with Manufacturers Standardization Society SP-69 (Type 3).

MAXIMUM TEMPERATURE: 1050°F (565°C)

ORDERING: Specify pipe size, part number, name and finish.

Load (lbs) • Weight (lbs) • Dimensions (inches)

Pipe Size	*Maximum Load				Weight	B	C	D	Rod Take Out E	F	H	BARSTOCK
	650° F	750° F	1000° F	1050° F								
1 1/2	1545	1410	1000	745	2.3	1 13/16	1 1/16	4 7/8	4 1/8	5/8	2 3/8	1/4 X 1 1/4
2	1545	1410	1000	745	2.6	2 1/8	1 1/16	5 7/8	5 1/8	5/8	2 11/16	1/4 X 1 1/4
2 1/2	1545	1410	1000	745	2.7	2 5/16	1 1/16	6 1/8	5 3/8	5/8	2 15/16	1/4 X 1 1/4
3	1545	1410	1000	745	3.0	2 3/4	1 1/16	6 11/16	5 15/16	5/8	3 1/2	1/4 X 1 1/4
4	2500	2290	1625	1200	6.7	3 3/8	1 1/16	7 3/8	6 1/2	3/4	4 1/2	3/8 X 2
5	2500	2290	1625	1200	7.0	3 15/16	1 1/16	8 1/8	7	3/4	5	3/8 X 2
6	2865	2620	1860	1380	11.5	4 3/4	1 7/16	9 15/16	8 9/16	7/8	6 1/8	3/8 X 2 1/2
8	2865	2620	1860	1380	13.2	5 3/4	1 7/16	10 15/16	9 9/16	7/8	7 1/8	3/8 X 2 1/2
10	3240	2970	2100	1565	19.8	7 1/16	1 7/16	12	10 5/8	1	8 1/4	1/2 X 2 1/2
12	3240	2970	2100	1565	22.3	8 1/16	1 7/16	12 15/16	11 5/8	1	9 5/16	1/2 X 2 1/2
14	4300	3915	2795	2060	37.7	9 1/16	2	14 5/16	12 11/16	1 1/4	10 11/16	5/8 X 3
16	4300	3915	2795	2060	41.4	10 1/16	2	15 5/16	13 11/16	1 1/4	11 11/16	5/8 X 3
18	4300	3915	2795	2060	44.9	11 1/16	2	16 5/16	14 11/16	1 1/4	12 11/16	5/8 X 3
20	5490	4995	3550	2635	57.3	12 3/8	2	17 1/2	15 7/8	1 3/8	14	3/4 X 3
24	4500	4095	2910	2160	65.9	14 3/8	2	19 1/2	17 7/8	1 3/8	16	3/4 X 3

* Based on Allowable stresses shown in the ASME Code for Pressure Piping