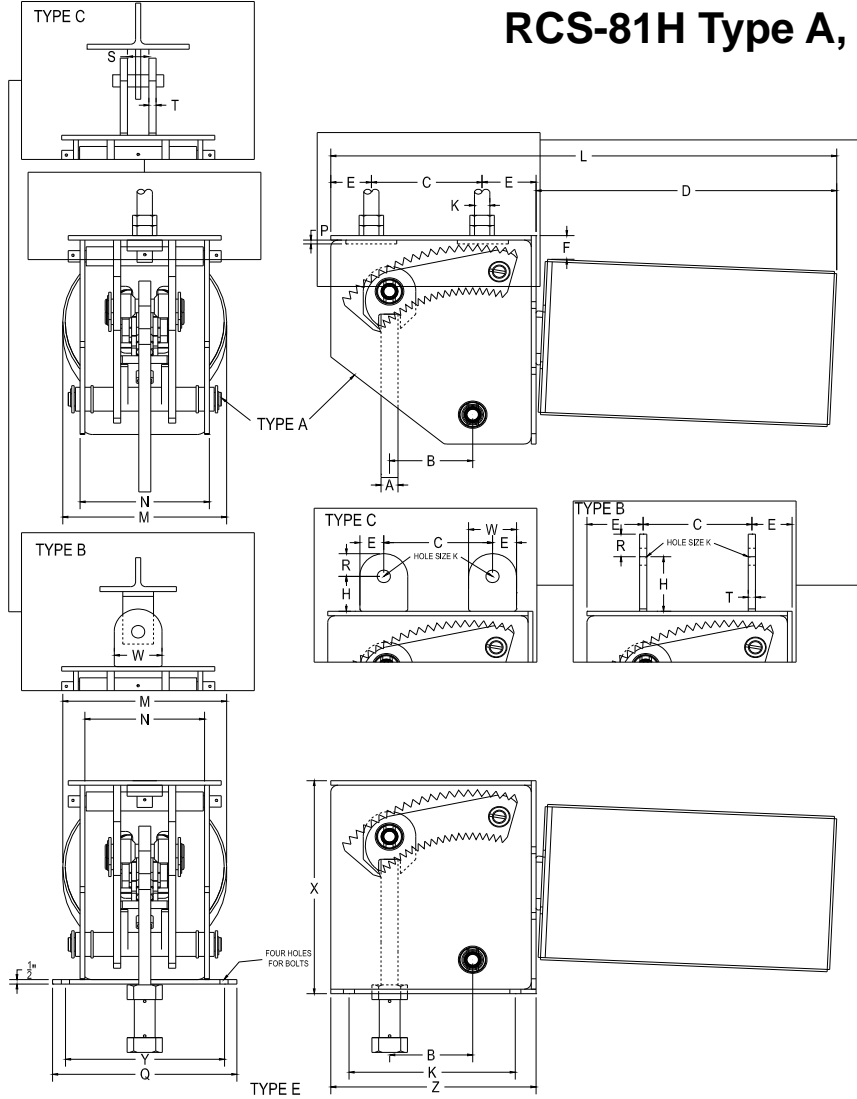


RCS-81H Type A, B, C and E



Hanger Sizes	L	C		D	E		F	H	K	M	N	P	Q	X	Y	Z	Total Travel (in.)	Factors			A max	
		A & B	C		A & B	C												A	B & C	E		
84 - 94	76 3/4	28	27 1/2	49 3/4	4	4 1/2	1 1/8	6	21	24	10 1/2	3	16	34	13	27	≤ 9 1/2	45 3/4	54 3/4	21 5/8	3 3/4	
																	>10	55 1/2	64 1/2	31 3/8		
95 - 110	100	49	48 1/2	64	4	4 1/2	1 3/8	6	30	24	11 1/2	3 1/2	17	37	14 1/2	36	≤ 14	56 1/2	66	17 5/8	3 3/4	
																	>14 1/2	65 3/8	74 7/8	26 5/8		
Load (lbs)	14376 18300	18301 24700	24701 31000	31001 39000	39001 48000	48001 58000	58001 69000	69001 87500														
A & K Rods		2	2 1/4	2 1/2	2 3/4	3	3 1/4	3 1/2	3 3/4													
K-Hole		2 3/8	2 5/8	2 7/8	3 1/8	3 3/8	3 5/8	3 7/8	4 1/8													
R		3	3	4	4	4	4 1/2	4 1/2	4 1/2													
S		2 7/8	3 1/8	3 3/8	3 5/8	3 7/8	4 1/8	4 3/8	4 5/8													
T (Type B)		3/4	3/4	1	1	1	1 1/2	1 3/4														
T (Type C)		3/4	3/4	1	1	1	1 1/4	1 1/4														
W		6	6	8	8	8	9	9	9													