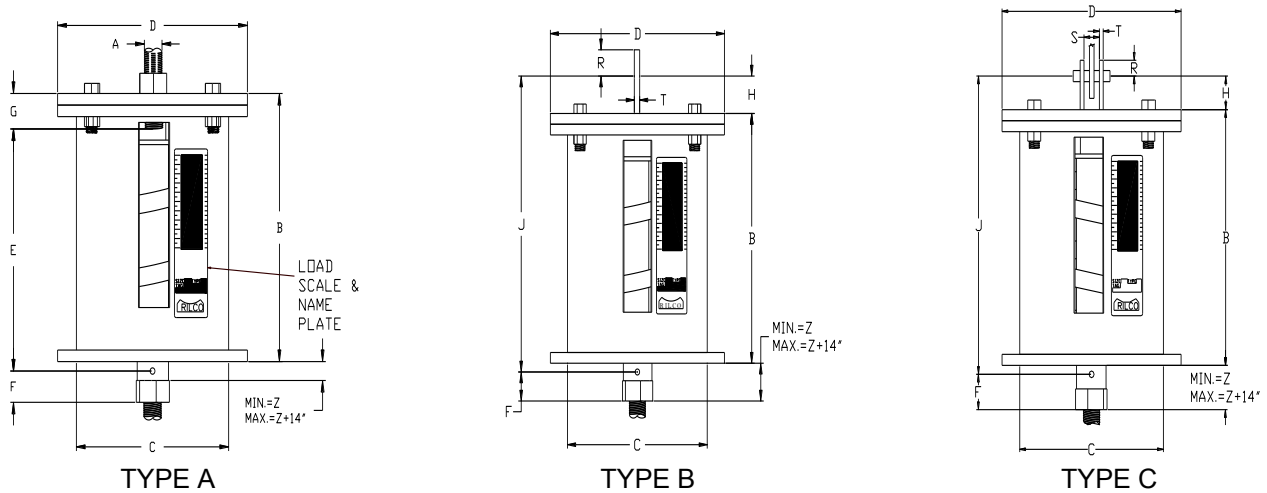


Part # RVS-82



RILCO Variable Short Spring Hanger, the RVS-82, has all of the features of our RVS-268 and is designed to same exacting specifications.

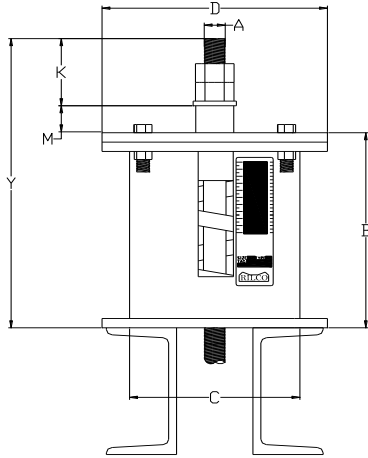
The RVS-82 is best utilized in confined areas where thermal movement of the piping is relatively small.

The RVS-82 hanger is offered in seven basic types which are displayed on this and the following page.

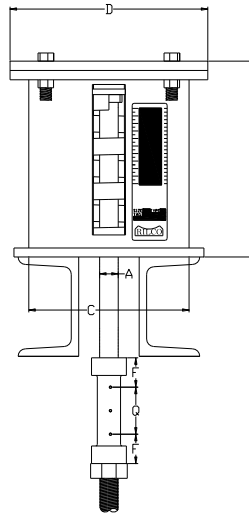
The Variable Selection Chart for sizing and instructions are found at the beginning of this section.

Weights (lbs) * Dimensions (inches)																						
Hanger Size	Rod Size "A"	R.H. Thread Length	Casing		Flange Dia. "D"	Min Thread Engage "F"	"Z"	Rod Take Out By Type				Type A					Types B, C				Type D	
			Length "B"	Dia. "C"				A	B,C	E	G	Thread Depth "G"	Lug Hole Size	Pin Hgt "H"	"R"	Clevis Opening "S"	Thk. "T"	Rod Length "Y"	Nut Allow. "K"	Hgt Spacer "M"		
																					"E"	"J"
0	1/2	3	4-3/4	4	5-1/8	15/16	15/16	4-5/16	6-1/4	2-1/8	1	7/16	11/16	1-1/2	1-1/4	7/8	1/4	7-1/2	1-1/4	1-3/4		
1	1/2	3	4-3/4	4	5-1/8	15/16	11/16	4-1/16	6	2-1/8	3/4	7/16	11/16	1-1/2	1-1/4	7/8	1/4	7-3/4	1-1/4	1-3/4		
2	1/2	3	5-3/8	4	5-1/8	15/16	1-1/16	5-1/16	7	2-1/8	1-1/8	7/16	11/16	1-1/2	1-1/4	7/8	1/4	8-3/8	1-1/4	1-3/4		
3	1/2	3	5-1/4	5-9/16	6-15/16	15/16	9/16	4-7/16	6-3/8	2-1/8	5/8	7/16	11/16	1-1/2	1-1/4	7/8	1/4	7-7/8	1-1/4	1-3/4		
4	1/2	3	5-1/4	5-9/16	6-15/16	15/16	1-3/16	5-1/16	7	2-1/8	1-1/4	7/16	11/16	1-1/2	1-1/4	7/8	1/4	8-1/4	1-1/4	1-3/4		
5	1/2	3	5-3/8	5-9/16	6-15/16	15/16	1-1/16	5-1/16	7	2-1/8	1-1/8	7/16	11/16	1-1/2	1-1/4	7/8	1/4	8-5/8	1-1/4	1-3/4		
6	5/8	3	5-13/16	6-5/8	8-3/8	15/16	13/16	5-1/16	7-3/16	2-1/8	1-7/8	5/8	13/16	1-1/2	1-1/4	1-1/16	1/4	9-1/16	1-1/2	1-3/4		
7	5/8	3	6-11/16	6-5/8	8-3/8	15/16	1-1/16	6-3/16	8-5/16	2-1/8	2-1/8	5/8	13/16	1-1/2	1-1/4	1-1/16	1/4	9-11/16	1-1/2	1-3/4		
8	5/8	3	6-11/16	6-5/8	8-3/8	15/16	13/16	5-15/16	8-1/16	2-1/8	1-7/8	5/8	13/16	1-1/2	1-1/4	1-1/16	1/4	9-15/16	1-1/2	1-3/4		
9	3/4	4	7-1/4	8-5/8	10-3/4	1-1/4	1-1/8	6-1/8	8-5/8	2	1-7/8	1	15/16	1-1/2	1-1/4	1-1/4	3/8	11-1/4	1-3/4	1-3/4		
10	3/4	4	8-1/4	8-5/8	10-3/4	1-1/4	1-3/8	7-3/8	9-7/8	2	2-1/8	1	15/16	1-1/2	1-1/4	1-1/4	3/8	11-3/4	1-3/4	1-3/4		
11	3/4	4	7-1/4	8-5/8	10-3/4	1-1/4	1-3/16	6-3/16	8-11/16	2	1-15/16	1	15/16	1-1/2	1-1/4	1-1/4	3/8	10-7/16	1-3/4	1-3/4		
12	1	4	7-1/4	8-5/8	10-3/4	1-1/4	7/8	6-3/16	8-11/16	2	1-1/8	1	1-1/4	2	1-1/2	1-5/8	1/2	11-1/4	2-1/4	1-3/4		
13	1	4	8-3/4	8-5/8	10-3/4	1-1/4	1	7-3/8	10-3/8	2	2-3/4	1	1/4	2	1-1/2	1-5/8	1/2	12-5/8	2-1/4	1-3/4		
14	1-1/4	4	8-7/8	8-5/8	10-3/4	1-1/4	3/4	7-3/8	11-3/8	2	2-1/2	1	1-1/2	3	2	2	5/8	13-5/8	3	1-3/4		
15	1-1/4	4	8-7/8	8-5/8	10-3/4	1-1/4	3/4	7-3/8	11-3/8	2	2-1/2	1	1-1/2	3	2	2	5/8	14-1/8	3	1-3/4		
16	1-1/2	5	10-5/8	8-5/8	11-3/8	1-15/16	2	9-5/16	13-11/16	6	1-1/16	1-3/8	1-3/4	3	2-1/2	2-3/8	3/4	15-7/8	3-1/2	1-3/4		
17	1-3/4	6	11-7/8	8-5/8	11-3/8	1-15/16	2	10-9/16	14-15/16	6	2-1/16	1-3/8	2	3	2-1/2	2-5/8	3/4	17-5/8	4	1-3/4		
18	2	7	13	12-3/4	15-7/8	2-3/4	2-1/2	10-11/16	16-13/16	6	7/16	2-1/4	2-3/8	4	3	2-7/8	3/4	19-3/16	4-9/16	1-3/4		
19	2-1/4	7	14	12-3/4	15-7/8	2-3/4	2-9/16	11-3/4	18-3/8	6	1	2-1/4	2-5/8	4-1/2	3	3-1/8	3/4	20-5/8	5	1-3/4		
20	2-1/2	8	16-1/8	12-3/4	15-7/8	2-3/4	2-11/16	14	20-5/8	6	1-1/8	2-1/4	2-7/8	4-1/2	4	3-3/8	1	23-5/16	5-9/16	1-3/4		
21	2-3/4	9	18	12-3/4	16-7/8	3-5/8	2-3/4	13-5/8	20-7/8	7	3/8	2-3/4	3-1/8	4-1/2	4	3-5/8	1	25	6-1/4	1-1/4		
22	3	10	22-1/4	12-3/4	16-7/8	3-5/8	2-3/4	17-5/8	25-3/8	7	2-3/8	3	3-3/8	5	4	3-7/8	1	29-5/8	6-5/8	1-1/4		

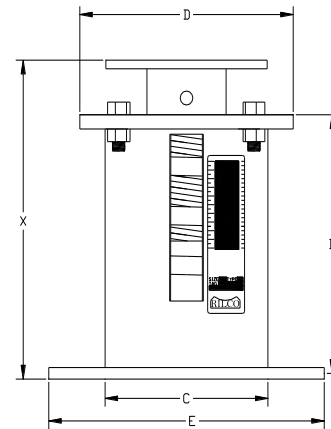
Part # RVS-82



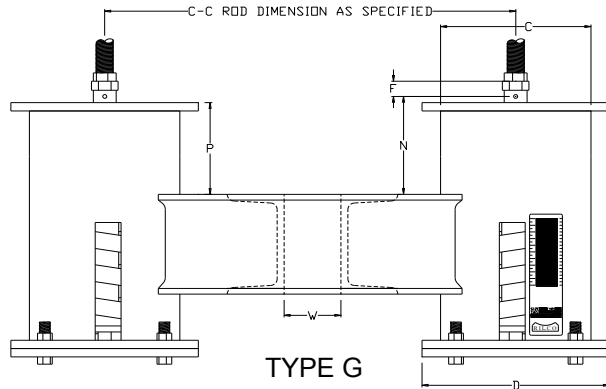
TYPE D



TYPE E



TYPE F



TYPE G

Weights (lbs) * Dimensions (inches)																			
Hanger Size	Type F										Type G				Weight				
	E' Bottom Flange		Bottom Flange		Load Col. Dia.	Load Flange		Length X		Channel Size	Max C-C	Space Between Channels-W	P	Type					
	Size Sq.	Bolt Circle	Min	Max		Bolts	Thick	Dia.	Thick					Min	Max	A,B,C	D,E	F	G
0	7-1/2	7	8-3/4	5/8	1/4	1.900	3-7/8	3/16	6-3/8	7	C3 x 4.1	24	5/8	3/4	6	5	11	27	
1	7-1/2	7	8-3/4	5/8	1/4	1.900	3-7/8	3/16	6-1/2	7-1/8	C3 x 4.1	24	5/8	3/4	7	6	11	29	
2	7-1/2	7	8-3/4	5/8	1/4	1.900	3-7/8	3/16	7-1/8	7-3/4	C3 x 4.1	24	5/8	3/4	8	7	12	29	
3	7-1/2	7-3/4	8-3/4	3/4	1/4	2.875	5-3/4	3/16	6-3/4	7-9/16	C3 x 4.1	30	3/4	3/4	11	10	10	33	
4	7-1/2	7-3/4	8-3/4	3/4	1/4	2.875	5-3/4	3/16	7-1/16	7-5/8	C3 x 4.1	30	3/4	3/4	12	11	20	35	
5	7-1/2	7-3/4	8-3/4	3/4	1/4	2.875	5-3/4	3/16	7-3/16	8	C3 x 4.1	30	3/4	3/4	13	12	21	36	
6	9	8	10-7/8	3/4	3/8	3.50	6-3/8	1/4	7-9/16	8-1/4	C3 x 4.1	36	1	3/4	20	193	33	51	
7	9	8	10-7/8	3/4	3/8	3.50	6-3/8	1/4	8-3/16	9-1/8	C3 x 4.1	36	1	3/4	23	22	35	57	
8	9	8	10-7/8	3/4	3/8	3.50	6-3/8	1/4	8-7/16	9-1/8	C3 x 4.1	36	1	3/4	24	23	36	59	
9	13-1/4	10-9/16	16-1/2	3/4	1/2	4.50	8-3/8	1/2	9-1/16	10-7/16	C4 x 5.4	36	1-1/4	1	56	52	78	125	
10	13-1/4	10-9/16	16-1/2	3/4	1/2	4.50	8-3/8	1/2	9-9/16	11-7/16	C4 x 5.4	36	1-1/4	1	62	58	84	137	
11	13-1/4	10-9/16	16-1/2	3/4	1/2	4.50	8-3/8	1/2	8-1/4	10-7/16	C4 x 5.4	36	1-1/4	1	55	51	76	121	
12	13-1/4	10-9/16	16-1/2	3/4	1/2	4.50	8-3/8	1/2	8-13/16	10-7/16	C5 x 6.7	36	1-1/2	1	58	53	78	132	
13	13-1/4	10-9/16	16-1/2	3/4	1/2	4.50	8-3/8	1/2	10-3/16	11-15/16	C5 x 6.7	36	1-1/2	1	69	63	81	154	
14	13-1/4	10-9/16	16-1/2	3/4	1/2	4.50	8-3/8	1/2	10-11/16	12-1/16	C6 x 6.7	33	1-1/2	1	72	55	91	159	
15	13-1/4	10-9/16	16-1/2	3/4	1/2	4.50	8-3/8	1/2	10-9/16	12-1/16	C5 x 10.5	36	1-1/2	1	88	79	100	198	
16	13-1/4	10-9/16	16-1/2	3/4	1/2	2.00	8-3/8	1/2	12-1/16	14-1/8	C8 x 11.5	36	2-1/8	1	102	91	112	230	
17	13-1/4	10-9/16	16-1/2	3/4	1/2	2.00	8-3/8	1/2	13-5/16	15-3/8	C8 x 11.5	36	2-1/8	1	120	105	126	266	
18	17-1/4	15-3/4	22	3/4	5/8	2.50	12-1/2	1/2	13-15/16	16-9/16	-	-	-	-	259	226	270	-	
19	17-1/4	15-3/4	22	3/4	5/8	2.50	12-1/2	1/2	14-15/16	17-9/16	-	-	-	-	286	246	275	-	
20	17-1/4	15-3/4	22	3/4	5/8	2.50	12-1/2	1/2	17-11/16	19-11/16	-	-	-	-	350	302	344	-	
21	17-1/4	15-3/4	22	3/4	5/8	3.00	12-1/2	1/2	18-5/16	21-5/8	-	-	-	-	401	339	348	-	
22	17-1/4	15-3/4	22	3/4	5/8	3.00	12-1/2	1/2	22-9/16	25-7/8	-	-	-	-	490	431	443	-	