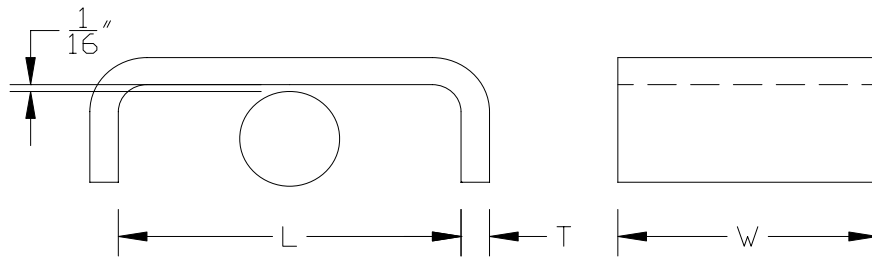
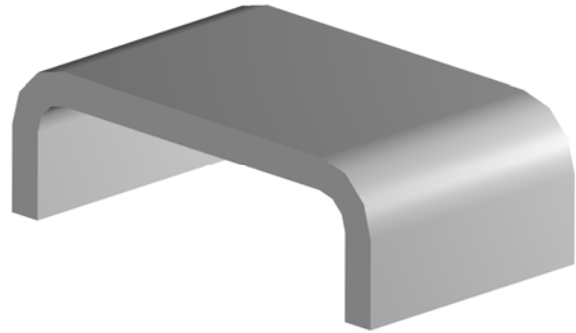


Pipe Straps

PART# 711

SIZE: 1/2" to 6" inches.
MATERIAL: Carbon Steel
FINISH: Black, Galvanized or coated to customer specifications.
SERVICE: For restraint of pipe.
ORDERING: Specify part number, name, finish.



Pipe Saddle Protection Saddle

PART# 712

Load (lbs) • Weight (lbs) • Dimensions (inches)

Pipe size	L	L1	T	W
1/2	3	1	1/4	2
3/4	3 1/2	1 3/16		
1	4	1 7/16		
1 1/4	4 1/2	1 3/4	3/8	3
1 1/2	5	2		
2	5 1/2	2 1/2		
2 1/2	6	3	1/2	4
3	6 1/2	3 9/16		
4	7 1/2	4 9/16		
6	9 3/4	6 3/4		6

