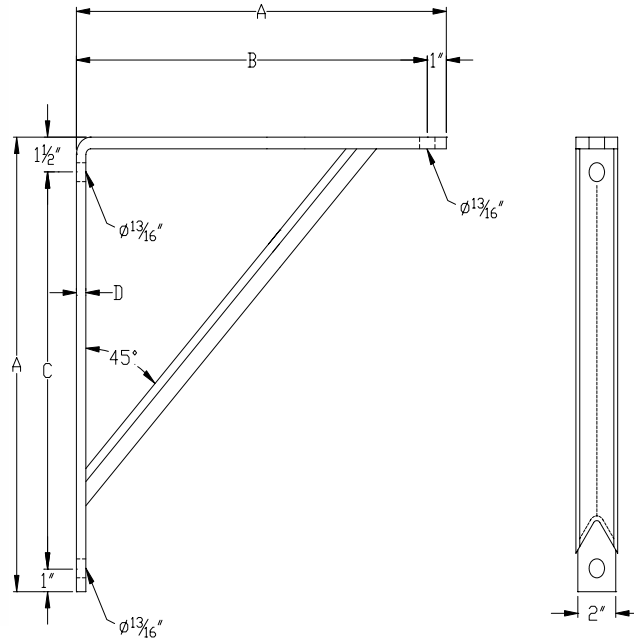


PART# 400

Steel Brackets Light Weight



MAXIMUM LOAD: 750 pounds.
MATERIAL: Carbon steel bracket.
FINISH: Black, Galvanized, or coated to customer specifications.
SERVICE: Recommended for support from below.
APPROVALS: Complies with Manufacturers Standardization Society SP-69 (Type 31)
ORDERING: Specify bracket number, part number, name, and finish. Order hanger rods and hex nuts separately.

Load (lbs) • Weight (lbs) • Dimensions (inches)

Bracket no.	Maximum Load	Weight	A	B	C	D
1	750	3.1	9	8	6 1/2	5/16
2	750	7.7	13	12	10 1/2	5/16
3	750	12.8	19	18	16 1/2	3/8