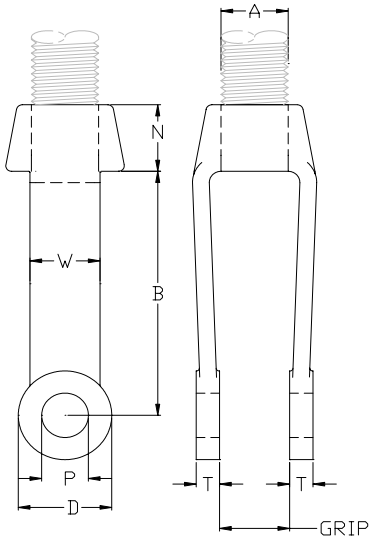
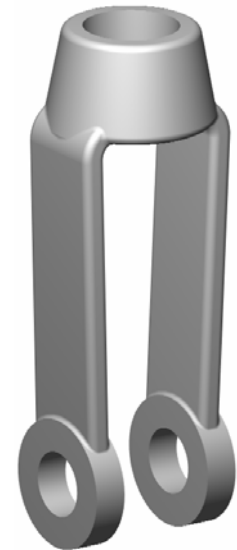


**Rod Attachment
Forged Steel Clevis**

Part # 290



CAUTION: Order by Rod Size



SIZE RANGE: 3/8" to 4" inches.

MATERIAL TYPES: Forged Carbon Steel

FINISH: Black, Galvanized, or coated to customer specifications.

SERVICE: For use on hot temperature piping installation.

APPROVALS: Complies with Manufacturers Standardization Society SP-69 (Type 14)

ORDERING: Specify rod size, part number, name, and finish. If pin and cotter pins are required, specify "with pin".

If other than standard combination of clevis size and rod tapping size is required, specify clevis number, special rod tapping size, pin size, grip.

Load (lbs) • Weight (lbs) • Dimensions (inches)

Rod Size A	*Maximum Load		Weight		Rod Take Out B	D	N	Pin Size P	T	W	Grip	Size No.	
	650° (F)	750° (F)	Without pin	With pin									
3/8	730	572	.9	1.0	3 11/16	1 7/16	5/8	1/2	5/16	1 1/16	1/2	2	
1/2	1350	1057	.7	.9				5/8			5/8		1/2
5/8	2160	1692	.7	.9				3/4			3/4		5/8
3/4	3230	2530	2.5	3.0	5	2	7/8	7/8	3/8	1 1/4	3/4	2 1/2	
7/8	4480	3508	2.5	3.4				1			1		7/8
1	5900	4620	4.0	5.1	5	3	1 5/16	1 1/8	1/2	1 1/2	1	3	
1 1/4	9500	7440	3.8	5.5				1 3/8			1 3/8		1 1/4
1 1/2	13800	10807	6.0	8.5	6	3 1/2	1 5/8	1 5/8	1/2	1 3/4	1 1/2	3 1/2	
1 3/4	18600	14566	8.0	12.9	6	4	1 3/4	1 7/8	1/2	2	1 1/2	4	
2	24600	19265	16.0	23.3	7	5	2 1/4	2 1/4	5/8	2 1/2	2 1/2	5	
2 1/4	32300	25295	26.0	35.1	8	6	2 3/4	2 1/2	3/4	3	2 1/2	6	
2 1/2	39800	31169	25.5	36.0				2 3/4			2 1/2		
2 3/4	49400	38687	36.0	50.0	9	7	3	3	7/8	3 1/2	2 1/2	7	
3	60100	47066	35.0	51.5				3 1/4			2 1/2		
3 1/4	71900	56307	90.0	116.0	10	8	4	3 1/2	1 1/2	4	4	8	
3 1/2	84700	66331	88.0	118.0				3 3/4			4		
3 3/4	98500	77139	86.0	120.0				4			4		
4	113400	88807	84.0	122.0				4 1/4			4		

* Based on the allowable stresses shown on the ASME Code for Pressure Piping.