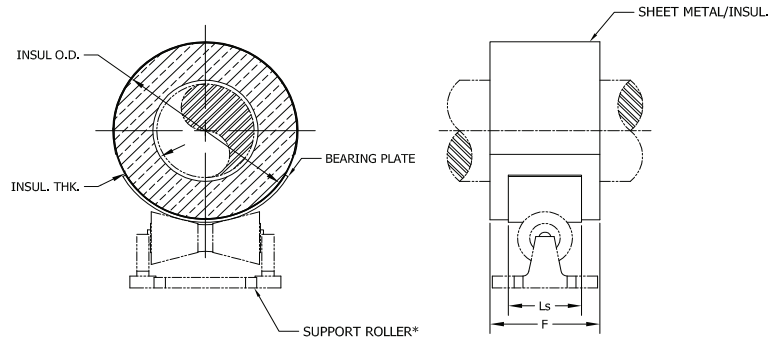
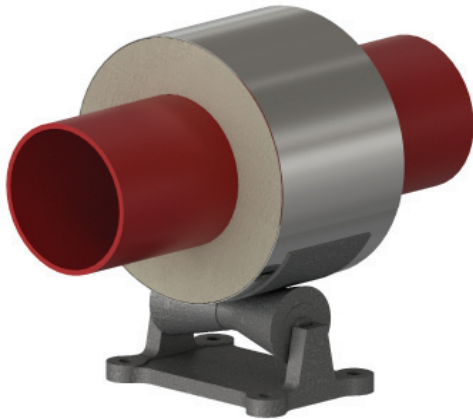


# HRCS - 2 x 1.5 - 9 - 200

Model No.    Nominal Pipe Size    Insulation Thickness    F (in)    Vertical Load

NEW DESIGNATION  
EXAMPLE

LEGACY DESIGNATION **HR-8000**



\* - All hardware sold separately.

PIPE SIZE	VERT LOAD (Lbs)	INSULATION THICKNESS																			
		1"				1-1/2"				2"				2-1/2"				3"			
		F (in)	INSUL OD (in)	Ls	AXIAL MVMNT	F (in)	INSUL OD (in)	Ls	AXIAL MVMNT	F (in)	INSUL OD (in)	Ls	AXIAL MVMNT	F (in)	INSUL OD (in)	Ls	AXIAL MVMNT	F (in)	INSUL OD (in)	Ls	AXIAL MVMNT
2"	200	9	4.5	6	+/- 2"	9	5.563	6	+/- 2"	9	6.625	6	+/- 2"	9	7.625	6	+/- 2"	9	8.625	6	+/- 2"
2-1/2"	250	9	5	6	+/- 2"	9	6.625	6	+/- 2"	9	7.625	6	+/- 2"	9	8.625	6	+/- 2"	9	9.625	6	+/- 2"
3"	300	9	5.56	6	+/- 2"	9	6.625	6	+/- 2"	9	7.625	6	+/- 2"	9	8.625	6	+/- 2"	9	9.625	6	+/- 2"
4"	400	9	6.625	6	+/- 2"	9	7.625	6	+/- 2"	9	8.625	6	+/- 2"	9	9.625	6	+/- 2"	9	10.75	6	+/- 2"
6"	550	9	8.625	6	+/- 2"	9	9.625	6	+/- 2"	9	10.75	6	+/- 2"	9	11.75	6	+/- 2"	9	12.75	6	+/- 2"
8"	700	9	10.75	6	+/- 2"	9	11.75	6	+/- 2"	9	12.75	6	+/- 2"	9	14	6	+/- 2"	9	15	6	+/- 2"
10"	875	9	12.75	6	+/- 2"	9	14	6	+/- 2"	9	15	6	+/- 2"	9	16	6	+/- 2"	9	17	6	+/- 2"
12"	1600	12	15	9	+/- 3"	12	16	9	+/- 3"	12	17	9	+/- 3"	12	18	9	+/- 3"	12	19	9	+/- 3"
14"	1650	12	16	9	+/- 3"	12	17	9	+/- 3"	12	18	9	+/- 3"	12	19	9	+/- 3"	12	20	9	+/- 3"
16"	1850	12	18	9	+/- 3"	12	19	9	+/- 3"	12	20	9	+/- 3"	12	21	9	+/- 3"	12	22	9	+/- 3"
18"	2000	12	20	9	+/- 3"	12	21	9	+/- 3"	12	22	9	+/- 3"	12	23	9	+/- 3"	12	24	9	+/- 3"
20"	2100	12	22	9	+/- 3"	12	23	9	+/- 3"	12	24	9	+/- 3"	12	25	9	+/- 3"	12	26	9	+/- 3"
24"	2300	12	26	9	+/- 3"	12	27	9	+/- 3"	12	28	9	+/- 3"	12	29	9	+/- 3"	12	30	9	+/- 3"
30"	2500	12	32	9	+/- 3"	12	33	9	+/- 3"	12	34	9	+/- 3"	12	35	9	+/- 3"	12	36	9	+/- 3"
36"	2500	12	38	9	+/- 3"	12	39	9	+/- 3"	12	40	9	+/- 3"	12	41	9	+/- 3"	12	42	9	+/- 3"
42"	2500	12	44	9	+/- 3"	12	45	9	+/- 3"	12	46	9	+/- 3"	12	47	9	+/- 3"	12	48	9	+/- 3"

### Applications & Features:

- Insulated pipe support with a heavy duty load distribution plate
- For use with pipe rolls
- Temperature range to 500 Deg F
- Higher temperature applications available
- Support and insulate steam, hot water, chilled water, gas and HVAC lines
- Low installation costs
- Water-resistant calcium silicate
- Galvanized steel jacket
- Support constructed in accordance with MSS-SP58
- For special applications or for information on other insulation thicknesses or pipe sizes, please contact us.

### Ordering Instructions:

To Order, Please Specify:

- Model Number
- Nominal Pipe Size
- Insulation Thickness
- Vertical Load
- Operating Temperature

\* See last page of this document for new designation model number construction

\*\* Information presented on this page subject to change without notice.

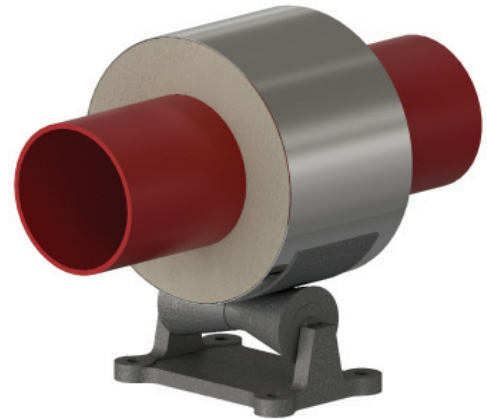
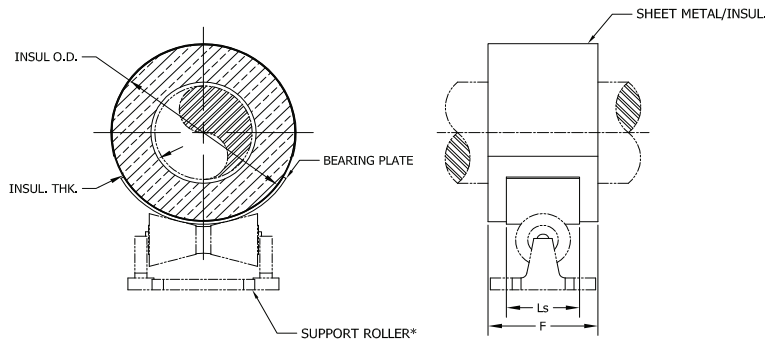


# HRCS - 2 x 1.5 - 9 - 200

NEW DESIGNATION  
EXAMPLE

LEGACY DESIGNATION **HR-8000**

Model No.    Nominal Pipe Size    Insulation Thickness    F (in)    Vertical Load



\* - All hardware sold separately.

PIPE SIZE	VERT LOAD (Lbs)	INSULATION THICKNESS																			
		3-1/2"				4"				4-1/2"				5"				5-1/2"			
		F (in)	INSUL OD (in)	Ls	AXIAL MVMNT	F (in)	INSUL OD (in)	Ls	AXIAL MVMNT	F (in)	INSUL OD (in)	Ls	AXIAL MVMNT	F (in)	INSUL OD (in)	Ls	AXIAL MVMNT	F (in)	INSUL OD (in)	Ls	AXIAL MVMNT
2"	200	9	9.625	6	+/- 2"	9	10.75	6	+/- 2"	9	11.75	6	+/- 2"	9	12.75	6	+/- 2"	9	14	6	+/- 2"
2-1/2"	250	9	10.75	6	+/- 2"	9	11.75	6	+/- 2"	9	12.75	6	+/- 2"	9	14	6	+/- 2"	9	15	6	+/- 2"
3"	300	9	10.75	6	+/- 2"	9	11.75	6	+/- 2"	9	12.75	6	+/- 2"	9	14	6	+/- 2"	9	15	6	+/- 2"
4"	400	9	11.75	6	+/- 2"	9	12.75	6	+/- 2"	9	14	6	+/- 2"	9	15	6	+/- 2"	9	16	6	+/- 2"
6"	550	9	14	6	+/- 2"	9	15	6	+/- 2"	9	16	6	+/- 2"	9	17	6	+/- 2"	9	18	6	+/- 2"
8"	700	9	16	6	+/- 2"	9	17	6	+/- 2"	9	18	6	+/- 2"	9	19	6	+/- 2"	9	20	6	+/- 2"
10"	875	9	18	6	+/- 2"	9	19	6	+/- 2"	9	20	6	+/- 2"	9	21	6	+/- 2"	9	22	6	+/- 2"
12"	1600	12	20	9	+/- 3"	12	21	9	+/- 3"	12	22	9	+/- 3"	12	23	9	+/- 3"	12	24	9	+/- 3"
14"	1650	12	21	9	+/- 3"	12	22	9	+/- 3"	12	23	9	+/- 3"	12	24	9	+/- 3"	12	25	9	+/- 3"
16"	1850	12	23	9	+/- 3"	12	24	9	+/- 3"	12	25	9	+/- 3"	12	26	9	+/- 3"	12	27	9	+/- 3"
18"	2000	12	25	9	+/- 3"	12	26	9	+/- 3"	12	27	9	+/- 3"	12	28	9	+/- 3"	12	29	9	+/- 3"
20"	2100	12	27	9	+/- 3"	12	28	9	+/- 3"	12	29	9	+/- 3"	12	30	9	+/- 3"	12	31	9	+/- 3"
24"	2300	12	31	9	+/- 3"	12	32	9	+/- 3"	12	33	9	+/- 3"	12	34	9	+/- 3"	12	35	9	+/- 3"
30"	2500	12	37	9	+/- 3"	12	38	9	+/- 3"	12	39	9	+/- 3"	12	40	9	+/- 3"	12	41	9	+/- 3"
36"	2500	12	43	9	+/- 3"	12	44	9	+/- 3"	12	45	9	+/- 3"	12	46	9	+/- 3"	12	47	9	+/- 3"
42"	2500	12	49	9	+/- 3"	12	50	9	+/- 3"	12	51	9	+/- 3"	12	52	9	+/- 3"	12	53	9	+/- 3"

### Applications & Features:

- Insulated pipe support with a heavy duty load distribution plate
- For use with pipe rolls
- Temperature range to 500 Deg F
- Higher temperature applications available
- Support and insulate steam, hot water, chilled water, gas and HVAC lines
- Low installation costs
- Water-resistant calcium silicate
- Galvanized steel jacket
- Support constructed in accordance with MSS-SP58
- For special applications or for information on other insulation thicknesses or pipe sizes, please contact us.

### Ordering Instructions:

To Order, Please Specify:

- Model Number
- Nominal Pipe Size
- Insulation Thickness
- Vertical Load
- Operating Temperature

\* See last page of this document for new designation model number construction

\*\* Information presented on this page subject to change without notice.



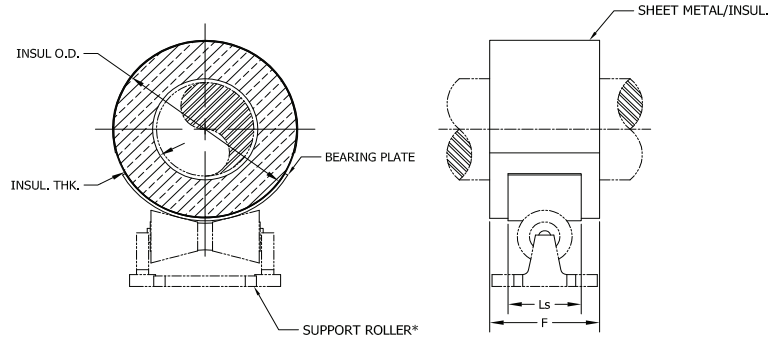
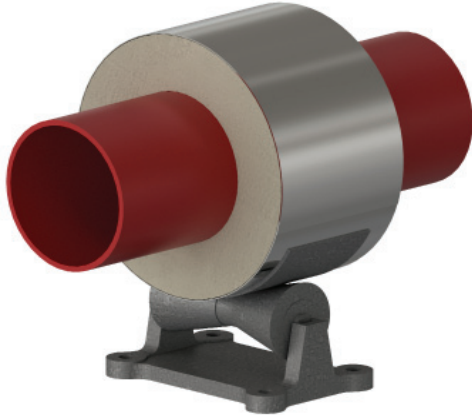
www.rilco.com

# HRCS - 2 x 1.5 - 9 - 200

Model No.    Nominal Pipe Size    Insulation Thickness    F (in)    Vertical Load

NEW DESIGNATION EXAMPLE

LEGACY DESIGNATION HR-8000



\* - All hardware sold separately.

PIPE SIZE	VERT LOAD (lbs)	INSULATION THICKNESS																			
		6"				6-1/2"				7"				7-1/2"				8"			
		F (in)	INSUL OD (in)	Ls	AXIAL MVMNT	F (in)	INSUL OD (in)	Ls	AXIAL MVMNT	F (in)	INSUL OD (in)	Ls	AXIAL MVMNT	F (in)	INSUL OD (in)	Ls	AXIAL MVMNT	F (in)	INSUL OD (in)	Ls	AXIAL MVMNT
2"	200	9	15	6	+/- 2"	9	16	6	+/- 2"	9	17	6	+/- 2"	9	18	6	+/- 2"	9	19	6	+/- 2"
2-1/2"	250	9	16	6	+/- 2"	9	17	6	+/- 2"	9	18	6	+/- 2"	9	19	6	+/- 2"	9	20	6	+/- 2"
3"	300	9	16	6	+/- 2"	9	17	6	+/- 2"	9	18	6	+/- 2"	9	19	6	+/- 2"	9	20	6	+/- 2"
4"	400	9	17	6	+/- 2"	9	18	6	+/- 2"	9	19	6	+/- 2"	9	20	6	+/- 2"	9	21	6	+/- 2"
6"	550	9	19	6	+/- 2"	9	20	6	+/- 2"	9	21	6	+/- 2"	9	22	6	+/- 2"	9	23	6	+/- 2"
8"	700	9	21	6	+/- 2"	9	22	6	+/- 2"	9	23	6	+/- 2"	9	24	6	+/- 2"	9	25	6	+/- 2"
10"	875	9	23	6	+/- 2"	9	24	6	+/- 2"	9	25	6	+/- 2"	9	26	6	+/- 2"	9	27	6	+/- 2"
12"	1600	12	25	9	+/- 3"	12	26	9	+/- 3"	12	27	9	+/- 3"	12	28	9	+/- 3"	12	29	9	+/- 3"
14"	1650	12	26	9	+/- 3"	12	27	9	+/- 3"	12	28	9	+/- 3"	12	29	9	+/- 3"	12	30	9	+/- 3"
16"	1850	12	28	9	+/- 3"	12	29	9	+/- 3"	12	30	9	+/- 3"	12	31	9	+/- 3"	12	32	9	+/- 3"
18"	2000	12	30	9	+/- 3"	12	31	9	+/- 3"	12	32	9	+/- 3"	12	33	9	+/- 3"	12	34	9	+/- 3"
20"	2100	12	32	9	+/- 3"	12	33	9	+/- 3"	12	34	9	+/- 3"	12	35	9	+/- 3"	12	36	9	+/- 3"
24"	2300	12	36	9	+/- 3"	12	37	9	+/- 3"	12	38	9	+/- 3"	12	39	9	+/- 3"	12	40	9	+/- 3"
30"	2500	12	42	9	+/- 3"	12	43	9	+/- 3"	12	44	9	+/- 3"	12	45	9	+/- 3"	12	46	9	+/- 3"
36"	2500	12	48	9	+/- 3"	12	49	9	+/- 3"	12	50	9	+/- 3"	12	51	9	+/- 3"	12	52	9	+/- 3"
42"	2500	12	54	9	+/- 3"	12	55	9	+/- 3"	12	56	9	+/- 3"	12	57	9	+/- 3"	12	58	9	+/- 3"

### Applications & Features:

- Insulated pipe support with a heavy duty load distribution plate
- For use with pipe rolls
- Temperature range to 500 Deg F
- Higher temperature applications available
- Support and insulate steam, hot water, chilled water, gas and HVAC lines
- Low installation costs
- Water-resistant calcium silicate
- Galvanized steel jacket
- Support constructed in accordance with MSS-SP58
- For special applications or for information on other insulation thicknesses or pipe sizes, please contact us.

### Ordering Instructions:

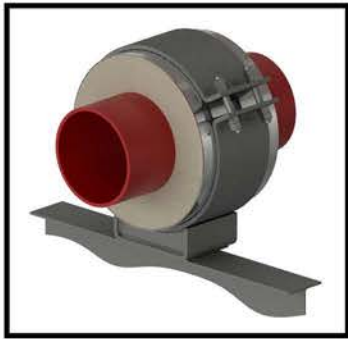
To Order, Please Specify:

- Model Number
- Nominal Pipe Size
- Insulation Thickness
- Vertical Load
- Operating Temperature

\* See last page of this document for new designation model number construction

\*\* Information presented on this page subject to change without notice.





# HSCS - 6x3-4-18-3500-1200-2000

## TEMPERATURE CLASSIFICATION

**HOT (H)** - (typical range 0°F to 1200°F)

**COLD (C)** - (typical range -450°F to 200°F)

**DUAL TEMP (D)** - (typical range -450°F to 1200°F)

## FUNCTION

**SLIDE (S)** (for vertically restrained pipe)  
i.e. HSPW-3x1.5-4-12-2100

**GUIDE (G)** (for vertically and laterally restrained pipe)  
i.e. HGPW-6x1.5-4-6-1275-450

- **GUIDE (L)** (for vertically and laterally restrained pipe, allows uplift of piping)  
i.e. HG(L)PW-1x1.5-4-6-225-80

- **GUIDE (M)** (for vertically and laterally restrained pipe, guided at cradle)  
i.e. HG(M)PW-1x1.5-4-6-225-80

**ANCHOR (A)** (for vertically, laterally and axially restrained pipe)  
i.e. HAPW-4x1.5-4-6-840-295-1730

**HANGING (H)** (for vertically restrained pipe)  
i.e. HHPW-3x1.5-4-12-2100

**RISER (V)** (for vertically restrained pipe)  
i.e. HVPW-3x1.5-4-12-2100

**FLAT (F)** (for vertically restrained pipe)  
i.e. HFPW-3x1.5-4-12-2100

**ROLLER (R)** (for vertically restrained pipe)  
i.e. HRPW-3x1.5-4-12-2100

## INSULATION TYPE

Calcium Silicate (CS)

PyroWrap (PW) (Aspen Aerogels Pyrogel® XT-E)

Polyurethane Foam (PF)

FOAMGLAS® (FG)

CryoWrap (CW) (Aspen Aerogels Cryogel® Z)

AXIAL LOAD (lbs)

LATERAL LOAD (lbs)

VERTICAL LOAD (lbs)

STEEL LENGTH (in)

BOP (in)

INSULATION THICKNESS (in)

PIPE SIZE (in)