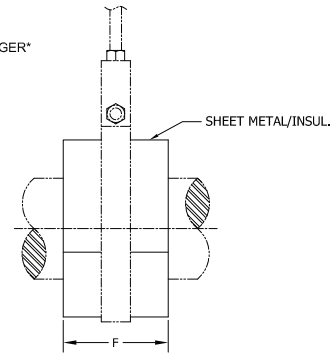
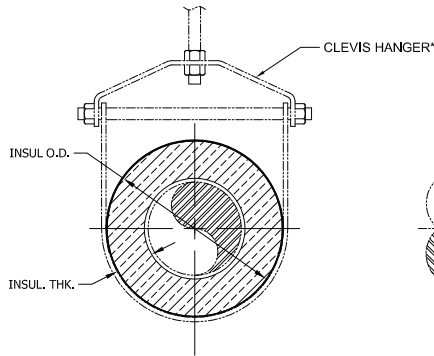
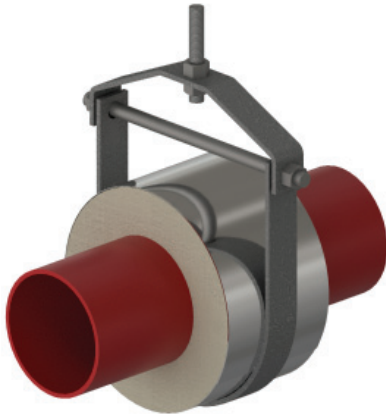


HCCS - 8 x 1.5 - 9 - 750

Model No. Nominal Pipe Size Insulation Thickness F (in) Vertical Load

NEW DESIGNATION
EXAMPLE

LEGACY DESIGNATION **HC-2000**



* - All hardware sold separately.

PIPE SIZE	VERT LOAD (Lbs)	INSULATION THICKNESS																	
		1"		1-1/2"		2"		2-1/2"		3"		3-1/2"		4"		4-1/2"		5"	
		F (in)	INSUL OD (in)	F (in)	INSUL OD (in)	F (in)	INSUL OD (in)	F (in)	INSUL OD (in)	F (in)	INSUL OD (in)	F (in)	INSUL OD (in)	F (in)	INSUL OD (in)	F (in)	INSUL OD (in)	F (in)	INSUL OD (in)
1/2"	40	6	2.875	6	4	6	5	6	6.625	6	7.625	6	8.625	6	9.625	6	10.75	9	11.75
3/4"	45	6	2.875	6	4	6	5	6	6.625	6	7.625	6	8.625	6	9.625	6	10.75	9	11.75
1"	65	6	3.5	6	4.5	6	5.563	6	6.625	6	7.625	6	8.625	6	9.625	6	10.75	9	11.75
1-1/2"	110	6	4	6	5	6	6.625	6	7.625	6	8.625	6	9.625	6	10.75	9	11.75	9	12.75
2"	140	6	4.5	6	5.563	6	6.625	6	7.625	6	8.625	6	9.625	6	10.75	9	11.75	9	12.75
2-1/2"	200	6	5	6	6.625	6	7.625	6	8.625	9	9.625	9	10.75	9	11.75	9	12.75	9	14
3"	250	6	5.563	6	6.625	6	7.625	6	8.625	9	9.625	9	10.75	9	11.75	9	12.75	9	14
4"	350	6	6.625	6	7.625	6	8.625	6	9.625	9	10.75	9	11.75	9	12.75	9	14	9	15
6"	550	6	8.625	6	9.625	6	10.75	6	11.75	9	12.75	9	14	9	15	9	16	9	17
8"	750	9	10.75	9	11.75	9	12.75	9	14	9	15	9	16	9	17	9	18	9	19
10"	1000	9	12.75	9	14	9	15	9	16	9	17	9	18	9	19	9	20	9	21
12"	1200	12	15	12	16	12	17	12	18	12	19	12	20	12	21	12	22	12	23
14"	1400	12	16	12	17	12	18	12	19	12	20	12	21	12	22	12	23	12	24
16"	1600	12	18	12	19	12	20	12	21	12	22	12	23	12	24	12	25	12	26
18"	1800	12	20	12	21	12	22	12	23	12	24	12	25	12	26	12	27	12	28
20"	2000	18	22	18	23	18	24	18	25	18	26	18	27	18	28	18	29	18	30
24"	2300	18	26	18	27	18	28	18	29	18	30	18	31	18	32	18	33	18	34

Applications & Features:

- Light duty insulated pipe support
- For use with clevis hangers
- Temperature range to 500 Deg F
- Higher temperature applications available
- Support and insulate steam, hot water, chilled water, gas and HVAC lines
- Low installation costs
- Water-resistant calcium silicate
- Galvanized steel jacket
- Support constructed in accordance with MSS-SP58
- For special applications or for information on other insulation thicknesses or pipe sizes, please contact us.

Ordering Instructions:

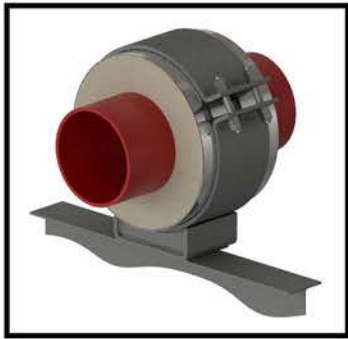
To Order, Please Specify:

- Model Number
- Nominal Pipe Size
- Insulation Thickness
- Vertical Load
- Operating Temperature

* See last page of this document for new designation model number construction

** Information presented on this page subject to change without notice.





HSCS - 6x3-4-18-3500-1200-2000

TEMPERATURE CLASSIFICATION

HOT (H) - (typical range 0°F to 1200°F)

COLD (C) - (typical range -450°F to 200°F)

DUAL TEMP (D) - (typical range -450°F to 1200°F)

FUNCTION

SLIDE (S) (for vertically restrained pipe)
i.e. HSPW-3x1.5-4-12-2100

GUIDE (G) (for vertically and laterally restrained pipe)
i.e. HGPW-6x1.5-4-6-1275-450

- **GUIDE (L)** (for vertically and laterally restrained pipe, allows uplift of piping)
i.e. HG(L)PW-1x1.5-4-6-225-80

- **GUIDE (M)** (for vertically and laterally restrained pipe, guided at cradle)
i.e. HG(M)PW-1x1.5-4-6-225-80

ANCHOR (A) (for vertically, laterally and axially restrained pipe)
i.e. HAPW-4x1.5-4-6-840-295-1730

HANGING (H) (for vertically restrained pipe)
i.e. HHPW-3x1.5-4-12-2100

RISER (V) (for vertically restrained pipe)
i.e. HVPW-3x1.5-4-12-2100

FLAT (F) (for vertically restrained pipe)
i.e. HFPW-3x1.5-4-12-2100

ROLLER (R) (for vertically restrained pipe)
i.e. HRPW-3x1.5-4-12-2100

INSULATION TYPE

Calcium Silicate (CS)

PyroWrap (PW) (Aspen Aerogels Pyrogel® XT-E)

Polyurethane Foam (PF)

FOAMGLAS® (FG)

CryoWrap (CW) (Aspen Aerogels Cryogel® Z)

AXIAL LOAD (lbs)

LATERAL LOAD (lbs)

VERTICAL LOAD (lbs)

STEEL LENGTH (in)

BOP (in)

INSULATION THICKNESS (in)

PIPE SIZE (in)