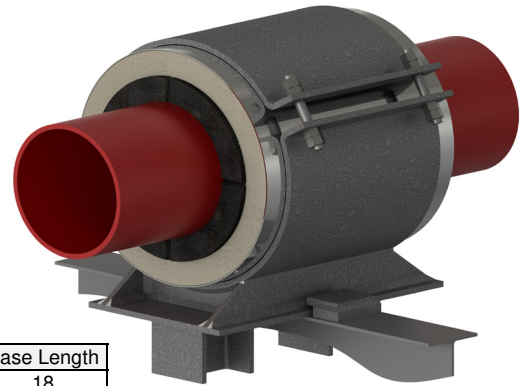
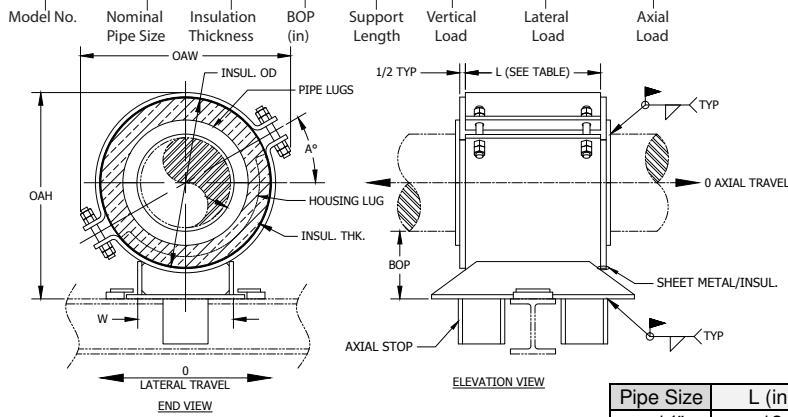


# HACS - 4 x 1.5 - 4 - 6 - 840 - 295 - 1730 NEW DESIGNATION EXAMPLE

LEGACY DESIGNATION HA-4000



**NOTES:**

1) All dimensions in inches unless noted.

**Do you need special loads or dimensions for this design? Please contact us at (713) 466-4777 or sales@rilco.com.**

PIPE SIZE	VERT LOAD (Lbs)	LAT LOAD (Lbs)	AXIAL LOAD (Lbs)	INSULATION THICKNESS																			
				1"				1-1/2"				2"				2-1/2"				3"			
				BOP (in)	INSUL OD (in)	OAW (in)	OAH (in)	BOP (in)	INSUL OD (in)	OAW (in)	OAH (in)	BOP (in)	INSUL OD (in)	OAW (in)	OAH (in)	BOP (in)	INSUL OD (in)	OAW (in)	OAH (in)	BOP (in)	INSUL OD (in)	OAW (in)	OAH (in)
1"	200	70	410	4	3.5	6.5	7	4	4.5	7.5	7.5	4	5.563	8	8	4	6.625	9	8.5	6	7.625	10	11
1-1/2"	290	105	590	4	4	7	7.5	4	5	8	8	4	6.625	9	9	4	7.625	10	9.5	6	8.625	11	12
2"	360	130	730	4	4.5	7.5	8	4	5.563	8	8.5	4	6.625	9	9	4	7.625	10	9.5	6	8.625	11	12
2-1/2"	440	155	890	4	5	8	8.5	4	6.625	9	9.5	4	7.625	10	10	4	8.625	11	10.5	6	9.625	12	13
3"	530	190	1400	4	5.56	8	9	4	6.625	9	9.5	4	7.625	10	10	4	8.625	11	10.5	6	9.625	12	13
4"	840	295	1730	4	6.625	9	10	4	7.625	10	10.5	4	8.625	11	11	4	9.625	12	11.5	6	10.75	12.5	14
6"	1275	450	2400	4	8.625	12	12	4	9.625	12.5	12.5	4	10.75	13.5	13.5	4	11.75	14.5	14	6	12.75	15.5	16.5
8"	1700	595	3020	4	10.75	13.5	14.5	4	11.75	14.5	15	4	12.75	15.5	15.5	6	14	16.5	18	6	15	17.5	18.5
10"	2000	700	3700	4	12.75	15.5	16.5	4	14	16.5	17	4	15	17.5	17.5	6	16	18	20	6	17	19	20.5
12"	2200	770	4320	4	15	17.5	18.5	4	16	18	19	4	17	19	19.5	6	18	20	22	6	19	20.5	22.5
14"	2500	875	4700	4	16	18	19.5	4	17	19	20	4	18	20	20.5	6	19	20.5	23	6	20	21.5	23.5
16"	2900	1015	5340	4	18	20	21.5	4	19	21	22	6	20	22	24.5	6	21	23	25	6	22	23.5	25.5
18"	3200	1120	5970	4	20	22	23.5	4	21	23	24	6	22	23.5	26.5	6	23	24.5	27	6	24	25.5	27.5
20"	3400	1190	6600	4	22	23.5	25.5	4	23	24.5	26	6	24	25.5	28.5	6	25	26.5	29	6	26	27	29.5
24"	3600	1260	7850	4	26	29.5	30	4	27	30.5	30.5	6	28	31	33	6	29	32	33.5	6	30	33	34
30"	4700	1645	9740	4	32	34.5	36	6	33	35.5	38.5	6	34	36.5	39	6	35	37.5	39.5	6	36	38	40
36"	5500	1925	11600	4	38	40	42	6	39	40.5	44.5	6	40	41.5	45	6	41	42.5	45.5	6	42	43.5	46
42"	6200	2170	13500	4	44	45.5	48	6	45	46.5	50.5	6	46	47.5	51	6	47	48.5	51.5	6	48	49.5	52
48"	7100	2485	15460	4	50	51.5	54	6	51	52.5	56.5	6	52	53.5	57	6	53	54.5	57.5	6	54	55.5	58
56"	8300	2905	18070	4	58	59.5	62	6	59	60.5	64.5	6	60	61.5	65	6	61	62.5	65.5	6	62	63.5	66
60"	8900	3115	19380	4	62	63.5	66	6	63	64.5	68.5	6	64	65.5	69	6	65	66.5	69.5	6	66	67.5	70
66"	9800	3430	21340	4	68	69.5	71	6	69	70.5	73.5	6	70	71.5	74	6	71	72.5	74.5	6	72	73.5	75
72"	10700	3745	23300	4	74	75.5	78	6	75	76.5	80.5	6	76	77.5	81	6	77	78.5	81.5	6	78	79.5	82

\*W-Dimension is calculated by multiplying (INSULATION OD\*0.65), used only for supports pipe size 6" and larger

**Applications & Features:**

- Resists axial, vertical, and/or lateral pipe loads
- Support supplied with guide angles and axial stops
- Temperature range to 650 Deg F
- Higher temperature applications available
- Design loads based on a safety factor of 5
- A36 Steel construction
- See technical specification RHS-850
- Test results available upon request
- Steel finish available in galvanized or painted finishes
- Support features calcium silicate insulation with high density calcium silicate structural inserts
- Support constructed in accordance with ASME B31.1, B31.3 and MSS-SP58
- Water-resistant calcium silicate
- A307 or A193 B7 Plated bolts/studs
- For special applications or for information on other insulation thicknesses or pipe sizes, please contact us.

**Ordering Instructions:**

To Order, Please Specify:

- Model Number
- Nominal Pipe Size
- Insulation Thickness
- BOP
- Support Length
- Vertical Load
- Lateral & Axial Movements

\* See last page of this document for new designation model number construction

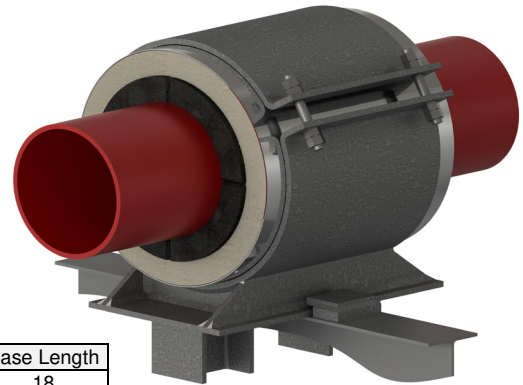
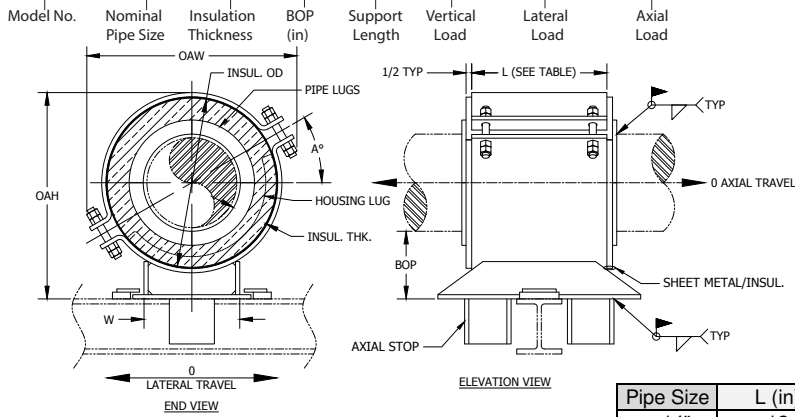
\*\* Information presented on this page subject to change without notice.



www.rilco.com

# HACS - 4 x 1.5 - 4 - 6 - 840 - 295 - 1730 NEW DESIGNATION EXAMPLE

LEGACY DESIGNATION HA-4000



**NOTES:**

1) All dimensions in inches unless noted.

Do you need special loads or dimensions for this design? Please contact us at (713) 466-4777 or sales@rilco.com.

PIPE SIZE	VERT LOAD (Lbs)	LAT LOAD (Lbs)	AXIAL LOAD (Lbs)	INSULATION THICKNESS																			
				3-1/2"				4"				4-1/2"				5"				5-1/2"			
				BOP (in)	INSUL OD (in)	OAW (in)	OAH (in)	BOP (in)	INSUL OD (in)	OAW (in)	OAH (in)	BOP (in)	INSUL OD (in)	OAW (in)	OAH (in)	BOP (in)	INSUL OD (in)	OAW (in)	OAH (in)	BOP (in)	INSUL OD (in)	OAW (in)	OAH (in)
1"	200	70	410	6	8.625	11	11.5	6	9.625	12	12	6	10.75	12.5	12.5	8	11.75	13.5	15	8	12.75	14.5	15.5
1-1/2"	290	105	590	6	9.625	12	12.5	6	10.75	12.5	13	6	11.75	13.5	13.5	8	12.75	14.5	16	8	14	15.5	16.5
2"	360	130	730	6	9.625	12	12.5	6	10.75	12.5	13	6	11.75	13.5	13.5	8	12.75	14.5	16	8	14	15.5	16.5
2-1/2"	440	155	890	6	10.75	12.5	13.5	6	11.75	13.5	14	6	12.75	14.5	14.5	8	14	15.5	17	8	15	16.5	17.5
3"	530	190	1400	6	10.75	12.5	13.5	6	11.75	13.5	14	6	12.75	14.5	14.5	8	14	15.5	17.5	8	15	16.5	18
4"	840	295	1730	6	11.75	13.5	14.5	6	12.75	14.5	15	6	14	15.5	16	8	15	16.5	18.5	8	16	17.5	19
6"	1275	450	2400	6	14	16.5	17	6	15	17.5	17.5	6	16	18	18	8	17	19	20.5	8	18	20	21
8"	1700	595	3020	6	16	18	19	6	17	19	19.5	8	18	20	22	8	19	20.5	22.5	8	20	21.5	23
10"	2000	700	3700	6	18	20	21	6	19	20.5	21.5	8	20	21.5	24	8	21	22.5	24.5	8	22	23.5	25
12"	2200	770	4320	6	20	21.5	23	6	21	22.5	23.5	8	22	23.5	26	8	23	24	26.5	8	24	25	27
14"	2500	875	4700	6	21	22.5	24	6	22	23.5	24.5	8	23	24	27	8	24	25	27.5	8	25	26	28
16"	2900	1015	5340	6	23	24.5	26	8	24	25.5	28.5	8	25	26.5	29	8	26	27	29.5	8	27	28	30
18"	3200	1120	5970	6	25	26.5	28	8	26	27	30.5	8	27	28	31	8	28	29	31.5	8	29	30	32
20"	3400	1190	6600	6	27	28	30	8	28	29	32.5	8	29	30	33	8	30	31	33.5	8	31	32	34
24"	3600	1260	7850	6	31	34	34.5	8	32	34.5	37	8	33	35.5	37.5	8	34	36.5	38	8	35	37.5	38.5
30"	4700	1645	9740	8	37	39	42.5	8	38	40	43	8	39	40.5	43.5	8	40	41.5	44	10	41	42.5	46.5
36"	5500	1925	11600	8	43	44.5	48.5	8	44	45.5	49	8	45	46.5	49.5	8	46	47.5	50	10	47	48.5	52.5
42"	6200	2170	13500	8	49	50.5	54.5	8	50	51.5	55	8	51	52.5	55.5	8	52	53.5	56	10	53	54.5	58.5
48"	7100	2485	15460	8	55	56.5	60.5	8	56	57.5	61	8	57	58.5	61.5	8	58	59.5	62	10	59	60.5	64.5
56"	8300	2905	18070	8	63	64.5	68.5	8	64	65.5	69	8	65	66.5	69.5	8	66	67.5	70	10	67	68.5	72.5
60"	8900	3115	19380	8	67	68.5	72.5	8	68	69.5	73	8	69	70.5	73.5	8	70	71.5	74	10	71	72.5	76.5
66"	9800	3430	21340	8	73	74.5	77.5	8	74	75.5	78	8	75	76.5	78.5	8	76	77.5	79	10	77	78.5	81.5
72"	10700	3745	23300	8	79	80.5	84.5	8	80	81.5	85	8	81	82.5	85.5	8	82	83.5	86	10	83	84.5	88.5

\*W-Dimension is calculated by multiplying (INSULATION OD\*0.65), used only for supports pipe size 6" and larger

**Applications & Features:**

- Resists axial, vertical, and/or lateral pipe loads
- Support supplied with guide angles and axial stops
- Temperature range to 650 Deg F
- Higher temperature applications available
- Design loads based on a safety factor of 5
- A36 Steel construction
- See technical specification RHS-850
- Test results available upon request
- Steel finish available in galvanized or painted finishes
- Support features calcium silicate insulation with high density calcium silicate structural inserts
- Support constructed in accordance with ASME B31.1, B31.3 and MSS-SP58
- Water-resistant calcium silicate
- A307 or A193 B7 Plated bolts/studs
- For special applications or for information on other insulation thicknesses or pipe sizes, please contact us.

**Ordering Instructions:**

To Order, Please Specify:

- Model Number
- Nominal Pipe Size
- Insulation Thickness
- BOP
- Support Length
- Vertical Load
- Lateral & Axial Movements

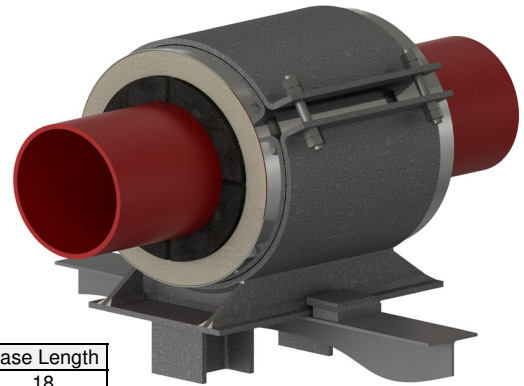
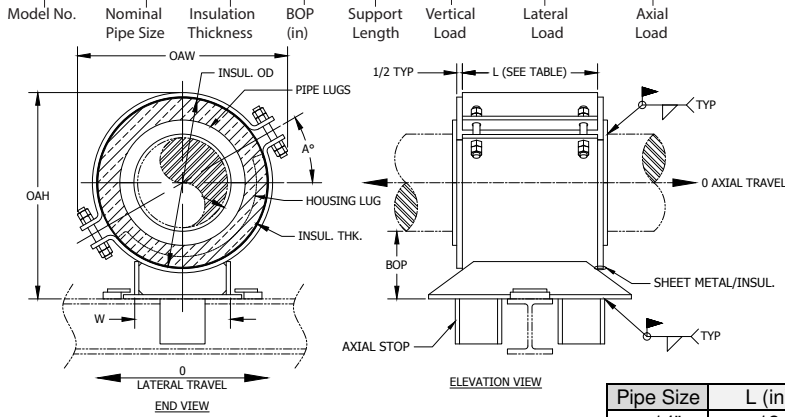
\* See last page of this document for new designation model number construction

\*\* Information presented on this page subject to change without notice.



# HACS - 4 x 1.5 - 4 - 6 - 840 - 295 - 1730 NEW DESIGNATION EXAMPLE

LEGACY DESIGNATION HA-4000



**NOTES:**

1) All dimensions in inches unless noted.

Do you need special loads or dimensions for this design? Please contact us at (713) 466-4777 or sales@rilco.com.

PIPE SIZE	VERT LOAD (Lbs)	LAT LOAD (Lbs)	AXIAL LOAD (Lbs)	INSULATION THICKNESS																			
				6"				6-1/2"				7"				7-1/2"				8"			
				BOP (in)	INSUL OD (in)	OAW (in)	OAH (in)	BOP (in)	INSUL OD (in)	OAW (in)	OAH (in)	BOP (in)	INSUL OD (in)	OAW (in)	OAH (in)	BOP (in)	INSUL OD (in)	OAW (in)	OAH (in)	BOP (in)	INSUL OD (in)	OAW (in)	OAH (in)
1"	200	70	410	8	14	15.5	16	8	15	16.5	16.5	10	16	17.5	19	10	17	18	19.5	10	18	19	20
1-1/2"	290	105	590	8	15	16.5	17	8	16	17.5	17.5	10	17	18	20	10	18	19	20.5	10	19	20	21
2"	360	130	730	8	15	16.5	17	8	16	17.5	17.5	10	17	18	20	10	18	19	20.5	10	19	20	21
2-1/2"	440	155	890	8	16	17.5	18	8	17	18	18.5	10	18	19	21	10	19	20	21.5	10	20	20.5	22
3"	530	190	1400	8	16	17.5	18.5	8	17	18	19	10	18	19	21.5	10	19	20	22	10	20	20.5	22.5
4"	840	295	1730	8	17	18	19.5	8	18	19	20	10	19	20	22.5	10	20	20.5	23	10	21	21.5	23.5
6"	1275	450	2400	8	19	20.5	21.5	8	20	21.5	22	10	21	22.5	24.5	10	22	23.5	25	10	23	24	25.5
8"	1700	595	3020	8	21	22.5	23.5	10	22	23.5	26	10	23	24	26.5	10	24	25	27	10	25	26	27.5
10"	2000	700	3700	8	23	24	25.5	10	24	25	28	10	25	26	28.5	10	26	27	29	10	27	28	29.5
12"	2200	770	4320	8	25	26	27.5	10	26	27	30	10	27	28	30.5	10	28	29	31	10	29	30	31.5
14"	2500	875	4700	8	26	27	28.5	10	27	28	31	10	28	29	31.5	10	29	30	32	10	30	31	32.5
16"	2900	1015	5340	10	28	29	32.5	10	29	30	33	10	30	31	33.5	10	31	32	34	12	32	33	36.5
18"	3200	1120	5970	10	30	31	34.5	10	31	32	35	10	32	33	35.5	10	33	34	36	12	34	35	38.5
20"	3400	1190	6600	10	32	33	36.5	10	33	34	37	10	34	35	37.5	10	35	36	38	12	36	37	40.5
24"	3600	1260	7850	10	36	38	41	10	37	39	41.5	10	38	40	42	10	39	40.5	42.5	12	40	41.5	45
30"	4700	1645	9740	10	42	43.5	47	10	43	44.5	47.5	10	44	45.5	48	12	45	46.5	50.5	12	46	47.5	51
36"	5500	1925	11600	10	48	49.5	53	10	49	50.5	53.5	10	50	51.5	54	12	51	52.5	56.5	12	52	53.5	57
42"	6200	2170	13500	10	54	55.5	59	10	55	56.5	59.5	10	56	57.5	60	12	57	58.5	62.5	12	58	59.5	63
48"	7100	2485	15460	10	60	61.5	65	10	61	62.5	65.5	10	62	63.5	66	12	63	64.5	68.5	12	64	65.5	69
56"	8300	2905	18070	10	68	69.5	73	10	69	70.5	73.5	10	70	71.5	74	12	71	72.5	76.5	12	72	73.5	77
60"	8900	3115	19380	10	72	73.5	77	10	73	74.5	77.5	10	74	75.5	78	12	75	76.5	80.5	12	76	77.5	81
66"	9800	3430	21340	10	78	79.5	82	10	79	80.5	82.5	10	80	81.5	83	12	81	82.5	85.5	12	82	83.5	86
72"	10700	3745	23300	10	84	85.5	89	10	85	86.5	89.5	10	86	87.5	90	12	87	88.5	92.5	12	88	89.5	93

\*W-Dimension is calculated by multiplying (INSULATION OD\*0.65), used only for supports pipe size 6" and larger

**Applications & Features:**

- Resists axial, vertical, and/or lateral pipe loads
- Support supplied with guide angles and axial stops
- Temperature range to 650 Deg F
- Higher temperature applications available
- Design loads based on a safety factor of 5
- A36 Steel construction
- See technical specification RHS-850
- Test results available upon request
- Steel finish available in galvanized or painted finishes
- Support features calcium silicate insulation with high density calcium silicate structural inserts
- Support constructed in accordance with ASME B31.1, B31.3 and MSS-SP58
- Water-resistant calcium silicate
- A307 or A193 B7 Plated bolts/studs
- For special applications or for information on other insulation thicknesses or pipe sizes, please contact us.

**Ordering Instructions:**

- To Order, Please Specify:
- Model Number
  - Nominal Pipe Size
  - Insulation Thickness
  - BOP
  - Support Length
  - Vertical Load
  - Lateral & Axial Movements

\* See last page of this document for new designation model number construction

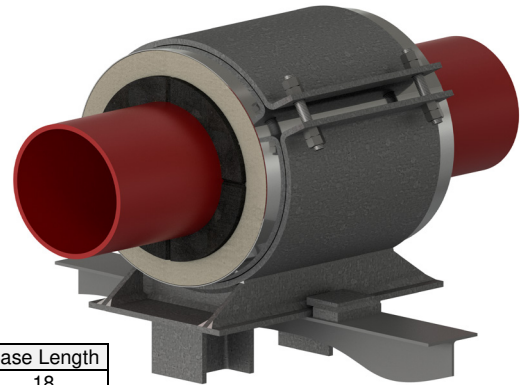
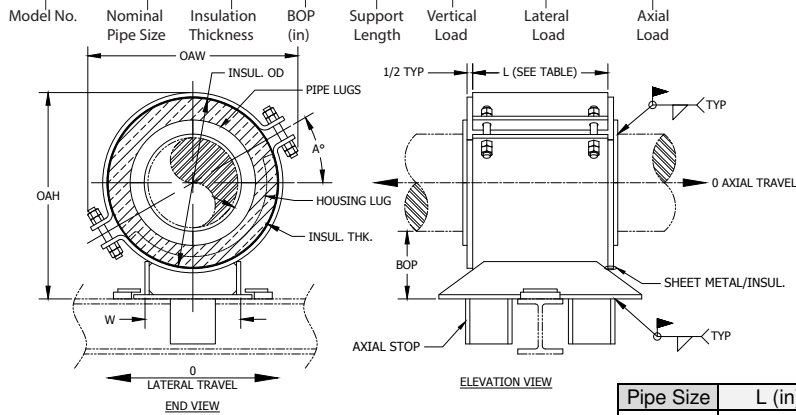
\*\* Information presented on this page subject to change without notice.



www.rilco.com

# HACS - 2 x 1.5 - 4 - 6 - 720 - 255 - 1160 NEW DESIGNATION EXAMPLE

LEGACY DESIGNATION HA-4100



Pipe Size	L (in)	Base Length
< 14"	12	18
≥ 14"	18	18

**NOTES:**

1) All dimensions in inches unless noted.

**Do you need special loads or dimensions for this design? Please contact us at (713) 466-4777 or sales@rilco.com.**

PIPE SIZE	VERT LOAD (Lbs)	LAT LOAD (Lbs)	AXIAL LOAD (Lbs)	INSULATION THICKNESS																			
				1"				1-1/2"				2"				2-1/2"				3"			
				BOP (in)	INSUL OD (in)	OAW (in)	OAH (in)	BOP (in)	INSUL OD (in)	OAW (in)	OAH (in)	BOP (in)	INSUL OD (in)	OAW (in)	OAH (in)	BOP (in)	INSUL OD (in)	OAW (in)	OAH (in)	BOP (in)	INSUL OD (in)	OAW (in)	OAH (in)
1"	400	140	640	4	3.5	6.5	7	4	4.5	7.5	7.5	4	5.563	8	8	4	6.625	9	8.5	6	7.625	10	11
1-1/2"	580	205	930	4	4	7	7.5	4	5	8	8	4	6.625	9	9	4	7.625	10	9.5	6	8.625	11	12
2"	720	255	1160	4	4.5	7.5	8	4	5.563	8	8.5	4	6.625	9	9	4	7.625	10	9.5	6	8.625	11	12
2-1/2"	870	305	1410	4	5	8	8.5	4	6.625	9	9.5	4	7.625	10	10	4	8.625	11	10.5	6	9.625	12	13
3"	1060	375	2400	4	5.56	8	9	4	6.625	9	9.5	4	7.625	10	10	4	8.625	11	10.5	6	9.625	12	13
4"	1680	590	2900	4	6.625	9	10	4	7.625	10	10.5	4	8.625	11	11	4	9.625	12	11.5	6	10.75	12.5	14
6"	2550	895	3900	4	8.625	12	12	4	9.625	12.5	12.5	4	10.75	13.5	13.5	4	11.75	14.5	14	6	12.75	15.5	16.5
8"	3400	1190	4850	4	10.75	13.5	14.5	4	11.75	14.5	15	4	12.75	15.5	15.5	6	14	16.5	18	6	15	17.5	18.5
10"	4000	1400	5850	4	12.75	15.5	16.5	4	14	16.5	17	4	15	17.5	17.5	6	16	18	20	6	17	19	20.5
12"	4400	1540	6800	4	15	17.5	18.5	4	16	18	19	4	17	19	19.5	6	18	20	22	6	19	20.5	22.5
14"	5000	1750	7350	4	16	18	19.5	4	17	19	20	4	18	20	20.5	6	19	20.5	23	6	20	21.5	23.5
16"	5800	2030	8320	4	18	20	21.5	4	19	21	22	6	20	22	24.5	6	21	23	25	6	22	23.5	25.5
18"	6400	2240	9240	4	20	22	23.5	4	21	23	24	6	22	23.5	26.5	6	23	24.5	27	6	24	25.5	27.5
20"	6800	2380	10200	4	22	23.5	25.5	4	23	24.5	26	6	24	25.5	28.5	6	25	26.5	29	6	26	27	29.5
24"	7200	2520	12000	4	26	29.5	30	4	27	30.5	30.5	6	28	31	33	6	29	32	33.5	6	30	33	34
30"	9400	3290	14900	4	32	34.5	36	6	33	35.5	38.5	6	34	36.5	39	6	35	37.5	39.5	6	36	38	40
36"	11000	3850	17750	4	38	40	42	6	39	40.5	44.5	6	40	41.5	45	6	41	42.5	45.5	6	42	43.5	46
42"	12400	4340	20500	4	44	45.5	48	6	45	46.5	50.5	6	46	47.5	51	6	47	48.5	51.5	6	48	49.5	52
48"	14200	4970	30920	4	50	51.5	54	6	51	52.5	56.5	6	52	53.5	57	6	53	54.5	57.5	6	54	55.5	58
56"	16600	5810	36140	4	58	59.5	62	6	59	60.5	64.5	6	60	61.5	65	6	61	62.5	65.5	6	62	63.5	66
60"	17800	6230	38760	4	62	63.5	66	6	63	64.5	68.5	6	64	65.5	69	6	65	66.5	69.5	6	66	67.5	70
66"	19500	6825	42460	4	68	69.5	71	6	69	70.5	73.5	6	70	71.5	74	6	71	72.5	74.5	6	72	73.5	75
72"	21300	7455	46380	4	74	75.5	78	6	75	76.5	80.5	6	76	77.5	81	6	77	78.5	81.5	6	78	79.5	82

\*W-Dimension is calculated by multiplying (INSULATION OD\*0.65), used only for supports pipe size 6" and larger

**Applications & Features:**

- Resists axial, vertical, and/or lateral pipe loads
- Support supplied with guide angles and axial stops
- Temperature range to 650 Deg F
- Higher temperature applications available
- Design loads based on a safety factor of 5
- A36 Steel construction
- See technical specification RHS-850
- Test results available upon request
- Steel finish available in galvanized or painted finishes
- Support features calcium silicate insulation with high density calcium silicate structural inserts
- Support constructed in accordance with ASME B31.1, B31.3 and MSS-SP58
- Water-resistant calcium silicate
- A307 or A193 B7 Plated bolts/studs
- For special applications or for information on other insulation thicknesses or pipe sizes, please contact us.

**Ordering Instructions:**

To Order, Please Specify:

- Model Number
- Nominal Pipe Size
- Insulation Thickness
- BOP
- Support Length
- Vertical Load
- Lateral & Axial Movements

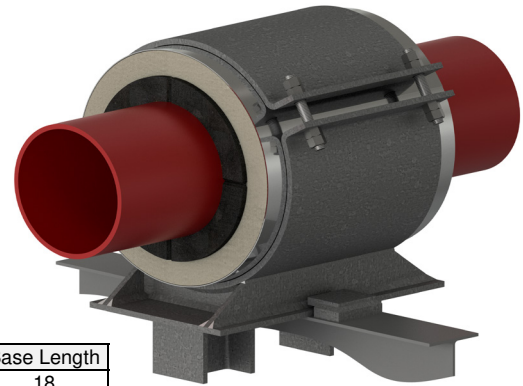
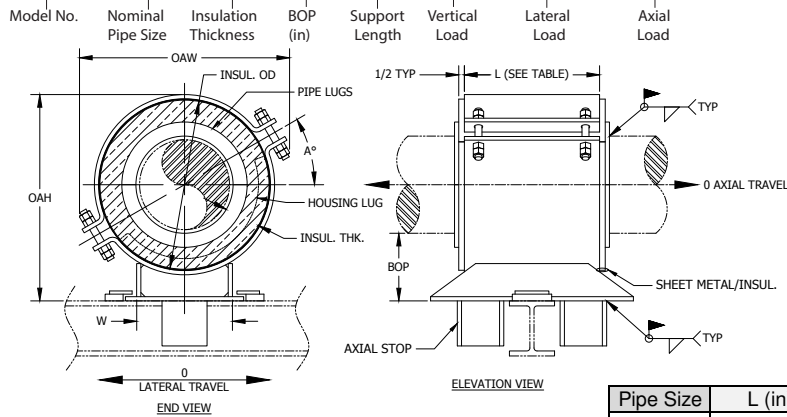
\* See last page of this document for new designation model number construction

\*\* Information presented on this page subject to change without notice.



# HACS - 2 x 1.5 - 4 - 6 - 720 - 255 - 1160 NEW DESIGNATION EXAMPLE

LEGACY DESIGNATION HA-4100



**NOTES:**

1) All dimensions in inches unless noted.

**Do you need special loads or dimensions for this design? Please contact us at (713) 466-4777 or sales@rilco.com.**

PIPE SIZE	VERT LOAD (Lbs)	LAT LOAD (Lbs)	AXIAL LOAD (Lbs)	INSULATION THICKNESS																			
				3-1/2"				4"				4-1/2"				5"				5-1/2"			
				BOP (in)	INSUL OD (in)	OAW (in)	OAH (in)	BOP (in)	INSUL OD (in)	OAW (in)	OAH (in)	BOP (in)	INSUL OD (in)	OAW (in)	OAH (in)	BOP (in)	INSUL OD (in)	OAW (in)	OAH (in)	BOP (in)	INSUL OD (in)	OAW (in)	OAH (in)
1"	400	140	640	6	8.625	11	11.5	6	9.625	12	12	6	10.75	12.5	12.5	8	11.75	13.5	15	8	12.75	14.5	15.5
1-1/2"	580	205	930	6	9.625	12	12.5	6	10.75	12.5	13	6	11.75	13.5	13.5	8	12.75	14.5	16	8	14	15.5	16.5
2"	720	255	1160	6	9.625	12	12.5	6	10.75	12.5	13	6	11.75	13.5	13.5	8	12.75	14.5	16	8	14	15.5	16.5
2-1/2"	870	305	1410	6	10.75	12.5	13.5	6	11.75	13.5	14	6	12.75	14.5	14.5	8	14	15.5	17	8	15	16.5	17.5
3"	1060	375	2400	6	10.75	12.5	13.5	6	11.75	13.5	14	6	12.75	14.5	14.5	8	14	15.5	17.5	8	15	16.5	18
4"	1680	590	2900	6	11.75	13.5	14.5	6	12.75	14.5	15	6	14	15.5	16	8	15	16.5	18.5	8	16	17.5	19
6"	2550	895	3900	6	14	16.5	17	6	15	17.5	17.5	6	16	18	18	8	17	19	20.5	8	18	20	21
8"	3400	1190	4850	6	16	18	19	6	17	19	19.5	8	18	20	22	8	19	20.5	22.5	8	20	21.5	23
10"	4000	1400	5850	6	18	20	21	6	19	20.5	21.5	8	20	21.5	24	8	21	22.5	24.5	8	22	23.5	25
12"	4400	1540	6800	6	20	21.5	23	6	21	22.5	23.5	8	22	23.5	26	8	23	24	26.5	8	24	25	27
14"	5000	1750	7350	6	21	22.5	24	6	22	23.5	24.5	8	23	24	27	8	24	25	27.5	8	25	26	28
16"	5800	2030	8320	6	23	24.5	26	8	24	25.5	28.5	8	25	26.5	29	8	26	27	29.5	8	27	28	30
18"	6400	2240	9240	6	25	26.5	28	8	26	27	30.5	8	27	28	31	8	28	29	31.5	8	29	30	32
20"	6800	2380	10200	6	27	28	30	8	28	29	32.5	8	29	30	33	8	30	31	33.5	8	31	32	34
24"	7200	2520	12000	6	31	34	34.5	8	32	34.5	37	8	33	35.5	37.5	8	34	36.5	38	8	35	37.5	38.5
30"	9400	3290	14900	8	37	39	42.5	8	38	40	43	8	39	40.5	43.5	8	40	41.5	44	10	41	42.5	46.5
36"	11000	3850	17750	8	43	44.5	48.5	8	44	45.5	49	8	45	46.5	49.5	8	46	47.5	50	10	47	48.5	52.5
42"	12400	4340	20500	8	49	50.5	54.5	8	50	51.5	55	8	51	52.5	55.5	8	52	53.5	56	10	53	54.5	58.5
48"	14200	4970	30920	8	55	56.5	60.5	8	56	57.5	61	8	57	58.5	61.5	8	58	59.5	62	10	59	60.5	64.5
56"	16600	5810	36140	8	63	64.5	68.5	8	64	65.5	69	8	65	66.5	69.5	8	66	67.5	70	10	67	68.5	72.5
60"	17800	6230	38760	8	67	68.5	72.5	8	68	69.5	73	8	69	70.5	73.5	8	70	71.5	74	10	71	72.5	76.5
66"	19500	6825	42460	8	73	74.5	77.5	8	74	75.5	78	8	75	76.5	78.5	8	76	77.5	79	10	77	78.5	81.5
72"	21300	7455	46380	8	79	80.5	84.5	8	80	81.5	85	8	81	82.5	85.5	8	82	83.5	86	10	83	84.5	88.5

\*W-Dimension is calculated by multiplying (INSULATION OD\*0.65), used only for supports pipe size 6" and larger

**Applications & Features:**

- Resists axial, vertical, and/or lateral pipe loads
- Support supplied with guide angles and axial stops
- Temperature range to 650 Deg F
- Higher temperature applications available
- Design loads based on a safety factor of 5
- A36 Steel construction
- See technical specification RHS-850
- Test results available upon request
- Steel finish available in galvanized or painted finishes
- Support features calcium silicate insulation with high density calcium silicate structural inserts
- Support constructed in accordance with ASME B31.1, B31.3 and MSS-SP58
- Water-resistant calcium silicate
- A307 or A193 B7 Plated bolts/studs
- For special applications or for information on other insulation thicknesses or pipe sizes, please contact us.

**Ordering Instructions:**

To Order, Please Specify:

- Model Number
- Nominal Pipe Size
- Insulation Thickness
- BOP
- Support Length
- Vertical Load
- Lateral & Axial Movements

\* See last page of this document for new designation model number construction

\*\* Information presented on this page subject to change without notice.



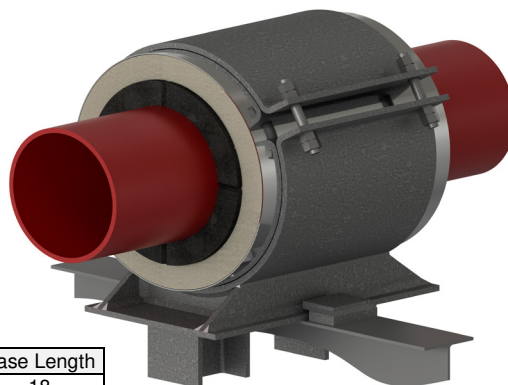
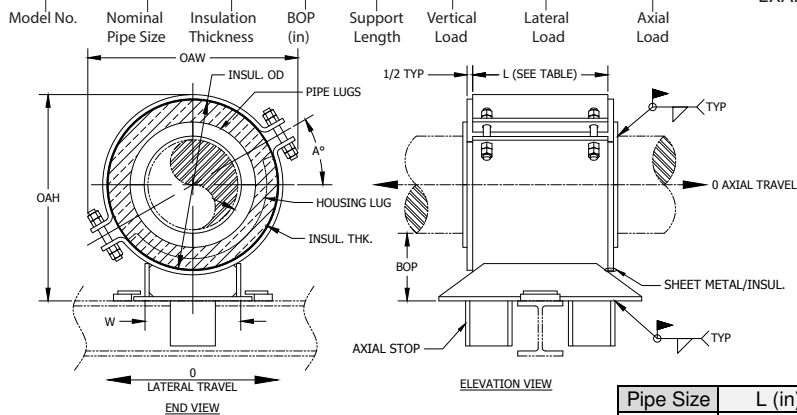
www.rilco.com



# HACS - 2 x 1.5 - 4 - 6 - 720 - 144 - 1160

NEW DESIGNATION EXAMPLE

LEGACY DESIGNATION HA-4100



Pipe Size	L (in)	Base Length
< 14"	12	18
≥ 14"	18	18

**NOTES:**

1) All dimensions in inches unless noted.

Do you need special loads or dimensions for this design? Please contact us at (713) 466-4777 or sales@rilco.com.

PIPE SIZE	VERT LOAD (Lbs)	LAT LOAD (Lbs)	AXIAL LOAD (Lbs)	INSULATION THICKNESS																			
				6"				6-1/2"				7"				7-1/2"				8"			
				BOP (in)	INSUL OD (in)	OAW (in)	OAH (in)	BOP (in)	INSUL OD (in)	OAW (in)	OAH (in)	BOP (in)	INSUL OD (in)	OAW (in)	OAH (in)	BOP (in)	INSUL OD (in)	OAW (in)	OAH (in)	BOP (in)	INSUL OD (in)	OAW (in)	OAH (in)
1"	400	140	640	8	14	15.5	16	8	15	16.5	16.5	10	16	17.5	19	10	17	18	19.5	10	18	19	20
1-1/2"	580	205	930	8	15	16.5	17	8	16	17.5	17.5	10	17	18	20	10	18	19	20.5	10	19	20	21
2"	720	255	1160	8	15	16.5	17	8	16	17.5	17.5	10	17	18	20	10	18	19	20.5	10	19	20	21
2-1/2"	870	305	1410	8	16	17.5	18	8	17	18	18.5	10	18	19	21	10	19	20	21.5	10	20	20.5	22
3"	1060	375	2400	8	16	17.5	18.5	8	17	18	19	10	18	19	21.5	10	19	20	22	10	20	20.5	22.5
4"	1680	590	2900	8	17	18	19.5	8	18	19	20	10	19	20	22.5	10	20	20.5	23	10	21	21.5	23.5
6"	2550	895	3900	8	19	20.5	21.5	8	20	21.5	22	10	21	22.5	24.5	10	22	23.5	25	10	23	24	25.5
8"	3400	1190	4850	8	21	22.5	23.5	10	22	23.5	26	10	23	24	26.5	10	24	25	27	10	25	26	27.5
10"	4000	1400	5850	8	23	24	25.5	10	24	25	28	10	25	26	28.5	10	26	27	29	10	27	28	29.5
12"	4400	1540	6800	8	25	26	27.5	10	26	27	30	10	27	28	30.5	10	28	29	31	10	29	30	31.5
14"	5000	1750	7350	8	26	27	28.5	10	27	28	31	10	28	29	31.5	10	29	30	32	10	30	31	32.5
16"	5800	2030	8320	10	28	29	32.5	10	29	30	33	10	30	31	33.5	10	31	32	34	12	32	33	36.5
18"	6400	2240	9240	10	30	31	34.5	10	31	32	35	10	32	33	35.5	10	33	34	36	12	34	35	38.5
20"	6800	2380	10200	10	32	33	36.5	10	33	34	37	10	34	35	37.5	10	35	36	38	12	36	37	40.5
24"	7200	2520	12000	10	36	38	41	10	37	39	41.5	10	38	40	42	10	39	40.5	42.5	12	40	41.5	45
30"	9400	3290	14900	10	42	43.5	47	10	43	44.5	47.5	10	44	45.5	48	12	45	46.5	50.5	12	46	47.5	51
36"	11000	3850	17750	10	48	49.5	53	10	49	50.5	53.5	10	50	51.5	54	12	51	52.5	56.5	12	52	53.5	57
42"	12400	4340	20500	10	54	55.5	59	10	55	56.5	59.5	10	56	57.5	60	12	57	58.5	62.5	12	58	59.5	63
48"	14200	4970	30920	10	60	61.5	65	10	61	62.5	65.5	10	62	63.5	66	12	63	64.5	68.5	12	64	65.5	69
56"	16600	5810	36140	10	68	69.5	73	10	69	70.5	73.5	10	70	71.5	74	12	71	72.5	76.5	12	72	73.5	77
60"	17800	6230	38760	10	72	73.5	77	10	73	74.5	77.5	10	74	75.5	78	12	75	76.5	80.5	12	76	77.5	81
66"	19500	6825	42460	10	78	79.5	82	10	79	80.5	82.5	10	80	81.5	83	12	81	82.5	85.5	12	82	83.5	86
72"	21300	7455	46380	10	84	85.5	89	10	85	86.5	89.5	10	86	87.5	90	12	87	88.5	92.5	12	88	89.5	93

\*W-Dimension is calculated by multiplying (INSULATION OD\*0.65), used only for supports pipe size 6" and larger

**Applications & Features:**

- Resists axial, vertical, and/or lateral pipe loads
- Support supplied with guide angles and axial stops
- Temperature range to 650 Deg F
- Higher temperature applications available
- Design loads based on a safety factor of 5
- A36 Steel construction
- See technical specification RHS-850
- Test results available upon request
- Steel finish available in galvanized or painted finishes
- Support features calcium silicate insulation with high density calcium silicate structural inserts
- Support constructed in accordance with ASME B31.1, B31.3 and MSS-SP58
- Water-resistant calcium silicate
- A307 or A193 B7 Plated bolts/studs
- For special applications or for information on other insulation thicknesses or pipe sizes, please contact us.

**Ordering Instructions:**

To Order, Please Specify:

- Model Number
- Nominal Pipe Size
- Insulation Thickness
- BOP
- Support Length
- Vertical Load
- Lateral & Axial Movements

\* See last page of this document for new designation model number construction

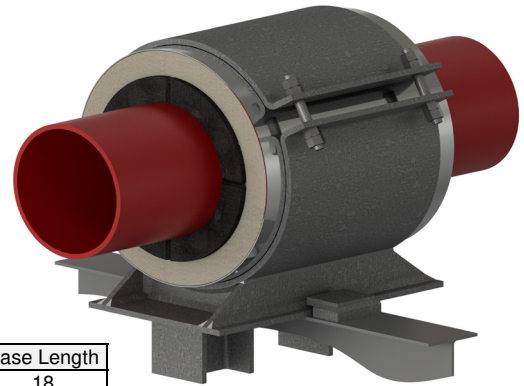
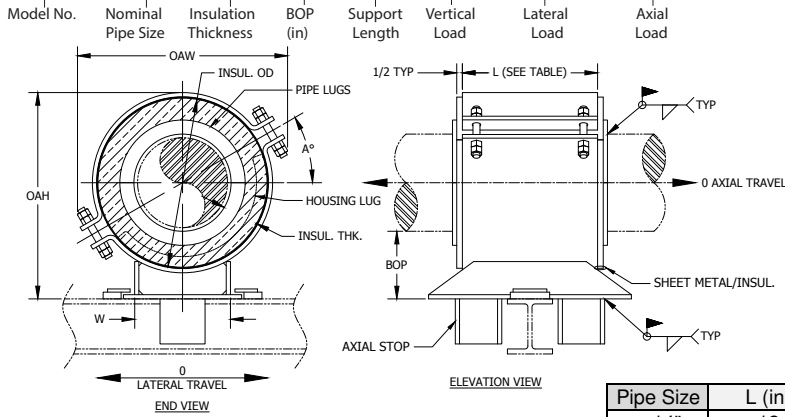
\*\* Information presented on this page subject to change without notice.



# HACS - 1 x 1.5 - 4 - 6 - 600 - 210 - 900

NEW DESIGNATION  
EXAMPLE

LEGACY DESIGNATION HA-4200



**NOTES:**

1) All dimensions in inches unless noted.

**Do you need special loads or dimensions for this design? Please contact us at (713) 466-4777 or sales@rilco.com.**

PIPE SIZE	VERT LOAD (Lbs)	LAT LOAD (Lbs)	AXIAL LOAD (Lbs)	INSULATION THICKNESS																			
				1"				1-1/2"				2"				2-1/2"				3"			
				BOP (in)	INSUL OD (in)	OAW (in)	OAH (in)	BOP (in)	INSUL OD (in)	OAW (in)	OAH (in)	BOP (in)	INSUL OD (in)	OAW (in)	OAH (in)	BOP (in)	INSUL OD (in)	OAW (in)	OAH (in)	BOP (in)	INSUL OD (in)	OAW (in)	OAH (in)
1"	600	210	900	4	3.5	6.5	7	4	4.5	7.5	7.5	4	5.563	8	8	4	6.625	9	8.5	6	7.625	10	11
1-1/2"	870	305	1290	4	4	7	7.5	4	5	8	8	4	6.625	9	9	4	7.625	10	9.5	6	8.625	11	12
2"	1090	385	1620	4	4.5	7.5	8	4	5.563	8	8.5	4	6.625	9	9	4	7.625	10	9.5	6	8.625	11	12
2-1/2"	1310	460	1960	4	5	8	8.5	4	6.625	9	9.5	4	7.625	10	10	4	8.625	11	10.5	6	9.625	12	13
3"	1600	560	3450	4	5.56	8	9	4	6.625	9	9.5	4	7.625	10	10	4	8.625	11	10.5	6	9.625	12	13
4"	2500	875	4100	4	6.625	9	10	4	7.625	10	10.5	4	8.625	11	11	4	9.625	12	11.5	6	10.75	12.5	14
6"	3800	1330	5400	4	8.625	12	12	4	9.625	12.5	12.5	4	10.75	13.5	13.5	4	11.75	14.5	14	6	12.75	15.5	16.5
8"	5100	1785	6675	4	10.75	13.5	14.5	4	11.75	14.5	15	4	12.75	15.5	15.5	6	14	16.5	18	6	15	17.5	18.5
10"	6000	2100	8000	4	12.75	15.5	16.5	4	14	16.5	17	4	15	17.5	17.5	6	16	18	20	6	17	19	20.5
12"	6600	2310	9300	4	15	17.5	18.5	4	16	18	19	4	17	19	19.5	6	18	20	22	6	19	20.5	22.5
14"	7500	2625	10000	4	16	18	19.5	4	17	19	20	4	18	20	20.5	6	19	20.5	23	6	20	21.5	23.5
16"	8700	3045	11300	4	18	20	21.5	4	19	21	22	6	20	22	24.5	6	21	23	25	6	22	23.5	25.5
18"	9600	3360	12500	4	20	22	23.5	4	21	23	24	6	22	23.5	26.5	6	23	24.5	27	6	24	25.5	27.5
20"	10200	3570	13800	4	22	23.5	25.5	4	23	24.5	26	6	24	25.5	28.5	6	25	26.5	29	6	26	27	29.5
24"	10800	3780	16300	4	26	29.5	30	4	27	30.5	30.5	6	28	31	33	6	29	32	33.5	6	30	33	34
30"	14100	4935	20100	4	32	34.5	36	6	33	35.5	38.5	6	34	36.5	39	6	35	37.5	39.5	6	36	38	40
36"	16500	5775	23900	4	38	40	42	6	39	40.5	44.5	6	40	41.5	45	6	41	42.5	45.5	6	42	43.5	46
42"	18600	6510	27650	4	44	45.5	48	6	45	46.5	50.5	6	46	47.5	51	6	47	48.5	51.5	6	48	49.5	52
48"	21300	7455	46380	4	50	51.5	54	6	51	52.5	56.5	6	52	53.5	57	6	53	54.5	57.5	6	54	55.5	58
56"	24800	8680	53990	4	58	59.5	62	6	59	60.5	64.5	6	60	61.5	65	6	61	62.5	65.5	6	62	63.5	66
60"	26600	9310	57910	4	62	63.5	66	6	63	64.5	68.5	6	64	65.5	69	6	65	66.5	69.5	6	66	67.5	70
66"	29300	10255	63790	4	68	69.5	71	6	69	70.5	73.5	6	70	71.5	74	6	71	72.5	74.5	6	72	73.5	75
72"	31900	11165	69450	4	74	75.5	78	6	75	76.5	80.5	6	76	77.5	81	6	77	78.5	81.5	6	78	79.5	82

\*W-Dimension is calculated by multiplying (INSULATION OD\*0.65), used only for supports pipe size 6" and larger

**Applications & Features:**

- Resists axial, vertical, and/or lateral pipe loads
- Support supplied with guide angles and axial stops
- Temperature range to 650 Deg F
- Higher temperature applications available
- Design loads based on a safety factor of 5
- A36 Steel construction
- See technical specification RHS-850
- Test results available upon request
- Steel finish available in galvanized or painted finishes
- Support features calcium silicate insulation with high density calcium silicate structural inserts
- Support constructed in accordance with ASME B31.1, B31.3 and MSS-SP58
- Water-resistant calcium silicate
- A307 or A193 B7 Plated bolts/studs
- For special applications or for information on other insulation thicknesses or pipe sizes, please contact us.

**Ordering Instructions:**

To Order, Please Specify:

- Model Number
- Nominal Pipe Size
- Insulation Thickness
- BOP
- Support Length
- Vertical Load
- Lateral & Axial Movements

\* See last page of this document for new designation model number construction

\*\* Information presented on this page subject to change without notice.

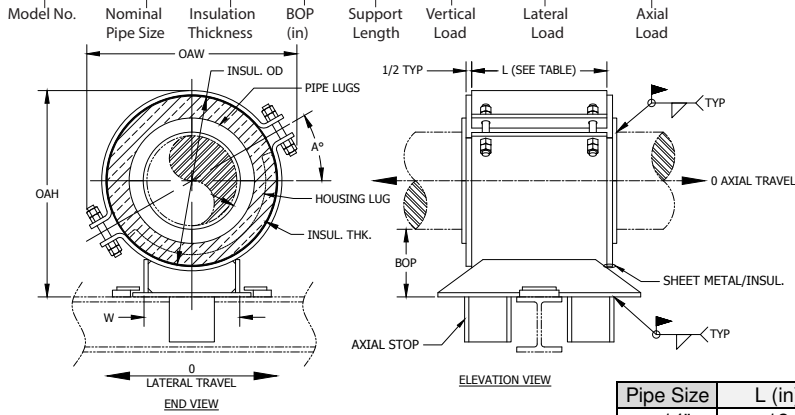


www.rilco.com

# HACS - 1 x 1.5 - 4 - 6 - 600 - 210 - 900

NEW DESIGNATION EXAMPLE

LEGACY DESIGNATION HA-4200



Pipe Size	L (in)	Base Length
< 14"	12	18
≥ 14"	18	18

**NOTES:**

1) All dimensions in inches unless noted.

Do you need special loads or dimensions for this design? Please contact us at (713) 466-4777 or sales@rilco.com.

PIPE SIZE	VERT LOAD (Lbs)	LAT LOAD (Lbs)	AXIAL LOAD (Lbs)	INSULATION THICKNESS																			
				3-1/2"				4"				4-1/2"				5"				5-1/2"			
				BOP (in)	INSUL OD (in)	OAW (in)	OAH (in)	BOP (in)	INSUL OD (in)	OAW (in)	OAH (in)	BOP (in)	INSUL OD (in)	OAW (in)	OAH (in)	BOP (in)	INSUL OD (in)	OAW (in)	OAH (in)	BOP (in)	INSUL OD (in)	OAW (in)	OAH (in)
1"	600	210	900	6	8.625	11	11.5	6	9.625	12	12	6	10.75	12.5	12.5	8	11.75	13.5	15	8	12.75	14.5	15.5
1-1/2"	870	305	1290	6	9.625	12	12.5	6	10.75	12.5	13	6	11.75	13.5	13.5	8	12.75	14.5	16	8	14	15.5	16.5
2"	1090	385	1620	6	9.625	12	12.5	6	10.75	12.5	13	6	11.75	13.5	13.5	8	12.75	14.5	16	8	14	15.5	16.5
2-1/2"	1310	460	1960	6	10.75	12.5	13.5	6	11.75	13.5	14	6	12.75	14.5	14.5	8	14	15.5	17	8	15	16.5	17.5
3"	1600	560	3450	6	10.75	12.5	13.5	6	11.75	13.5	14	6	12.75	14.5	14.5	8	14	15.5	17.5	8	15	16.5	18
4"	2500	875	4100	6	11.75	13.5	14.5	6	12.75	14.5	15	6	14	15.5	16	8	15	16.5	18.5	8	16	17.5	19
6"	3800	1330	5400	6	14	16.5	17	6	15	17.5	17.5	6	16	18	18	8	17	19	20.5	8	18	20	21
8"	5100	1785	6675	6	16	18	19	6	17	19	19.5	8	18	20	22	8	19	20.5	22.5	8	20	21.5	23
10"	6000	2100	8000	6	18	20	21	6	19	20.5	21.5	8	20	21.5	24	8	21	22.5	24.5	8	22	23.5	25
12"	6600	2310	9300	6	20	21.5	23	6	21	22.5	23.5	8	22	23.5	26	8	23	24	26.5	8	24	25	27
14"	7500	2625	10000	6	21	22.5	24	6	22	23.5	24.5	8	23	24	27	8	24	25	27.5	8	25	26	28
16"	8700	3045	11300	6	23	24.5	26	8	24	25.5	28.5	8	25	26.5	29	8	26	27	29.5	8	27	28	30
18"	9600	3360	12500	6	25	26.5	28	8	26	27	30.5	8	27	28	31	8	28	29	31.5	8	29	30	32
20"	10200	3570	13800	6	27	28	30	8	28	29	32.5	8	29	30	33	8	30	31	33.5	8	31	32	34
24"	10800	3780	16300	6	31	34	34.5	8	32	34.5	37	8	33	35.5	37.5	8	34	36.5	38	8	35	37.5	38.5
30"	14100	4935	20100	8	37	39	42.5	8	38	40	43	8	39	40.5	43.5	8	40	41.5	44	10	41	42.5	46.5
36"	16500	5775	23900	8	43	44.5	48.5	8	44	45.5	49	8	45	46.5	49.5	8	46	47.5	50	10	47	48.5	52.5
42"	18600	6510	27650	8	49	50.5	54.5	8	50	51.5	55	8	51	52.5	55.5	8	52	53.5	56	10	53	54.5	58.5
48"	21300	7455	46380	8	55	56.5	60.5	8	56	57.5	61	8	57	58.5	61.5	8	58	59.5	62	10	59	60.5	64.5
56"	24800	8680	53990	8	63	64.5	68.5	8	64	65.5	69	8	65	66.5	69.5	8	66	67.5	70	10	67	68.5	72.5
60"	26600	9310	57910	8	67	68.5	72.5	8	68	69.5	73	8	69	70.5	73.5	8	70	71.5	74	10	71	72.5	76.5
66"	29300	10255	63790	8	73	74.5	77.5	8	74	75.5	78	8	75	76.5	78.5	8	76	77.5	79	10	77	78.5	81.5
72"	31900	11165	69450	8	79	80.5	84.5	8	80	81.5	85	8	81	82.5	85.5	8	82	83.5	86	10	83	84.5	88.5

\*W-Dimension is calculated by multiplying (INSULATION OD\*0.65), used only for supports pipe size 6" and larger

**Applications & Features:**

- Resists axial, vertical, and/or lateral pipe loads
- Support supplied with guide angles and axial stops
- Temperature range to 650 Deg F
- Higher temperature applications available
- Design loads based on a safety factor of 5
- A36 Steel construction
- See technical specification RHS-850
- Test results available upon request
- Steel finish available in galvanized or painted finishes
- Support features calcium silicate insulation with high density calcium silicate structural inserts
- Support constructed in accordance with ASME B31.1, B31.3 and MSS-SP58
- Water-resistant calcium silicate
- A307 or A193 B7 Plated bolts/studs
- For special applications or for information on other insulation thicknesses or pipe sizes, please contact us.

**Ordering Instructions:**

To Order, Please Specify:

- Model Number
- Nominal Pipe Size
- Insulation Thickness
- BOP
- Support Length
- Vertical Load
- Lateral & Axial Movements

\* See last page of this document for new designation model number construction

\*\* Information presented on this page subject to change without notice.

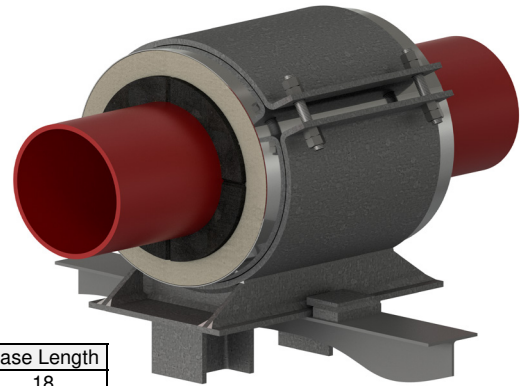
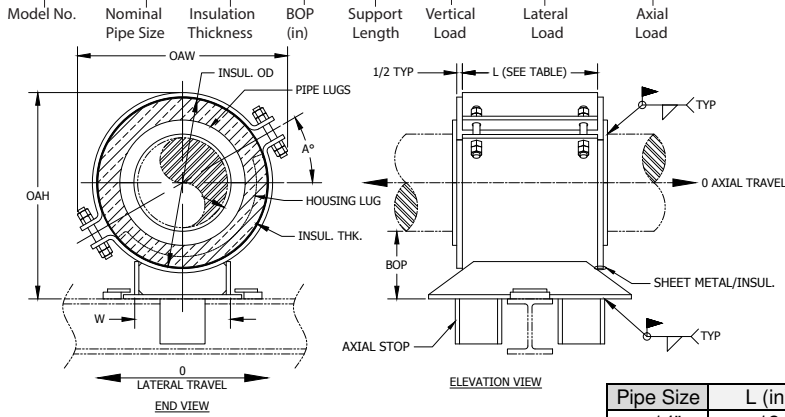




# HACS - 1 x 1.5 - 4 - 6 - 600 - 210 - 900

NEW DESIGNATION  
EXAMPLE

LEGACY DESIGNATION HA-4200



**NOTES:**

1) All dimensions in inches unless noted.

**Do you need special loads or dimensions for this design? Please contact us at (713) 466-4777 or sales@rilco.com.**

PIPE SIZE	VERT LOAD (Lbs)	LAT LOAD (Lbs)	AXIAL LOAD (Lbs)	INSULATION THICKNESS																			
				6"				6-1/2"				7"				7-1/2"				8"			
				BOP (in)	INSUL OD (in)	OAW (in)	OAH (in)	BOP (in)	INSUL OD (in)	OAW (in)	OAH (in)	BOP (in)	INSUL OD (in)	OAW (in)	OAH (in)	BOP (in)	INSUL OD (in)	OAW (in)	OAH (in)	BOP (in)	INSUL OD (in)	OAW (in)	OAH (in)
1"	600	210	900	8	14	15.5	16	8	15	16.5	16.5	10	16	17.5	19	10	17	18	19.5	10	18	19	20
1-1/2"	870	305	1290	8	15	16.5	17	8	16	17.5	17.5	10	17	18	20	10	18	19	20.5	10	19	20	21
2"	1090	385	1620	8	15	16.5	17	8	16	17.5	17.5	10	17	18	20	10	18	19	20.5	10	19	20	21
2-1/2"	1310	460	1960	8	16	17.5	18	8	17	18	18.5	10	18	19	21	10	19	20	21.5	10	20	20.5	22
3"	1600	560	3450	8	16	17.5	18.5	8	17	18	19	10	18	19	21.5	10	19	20	22	10	20	20.5	22.5
4"	2500	875	4100	8	17	18	19.5	8	18	19	20	10	19	20	22.5	10	20	20.5	23	10	21	21.5	23.5
6"	3800	1330	5400	8	19	20.5	21.5	8	20	21.5	22	10	21	22.5	24.5	10	22	23.5	25	10	23	24	25.5
8"	5100	1785	6675	8	21	22.5	23.5	10	22	23.5	26	10	23	24	26.5	10	24	25	27	10	25	26	27.5
10"	6000	2100	8000	8	23	24	25.5	10	24	25	28	10	25	26	28.5	10	26	27	29	10	27	28	29.5
12"	6600	2310	9300	8	25	26	27.5	10	26	27	30	10	27	28	30.5	10	28	29	31	10	29	30	31.5
14"	7500	2625	10000	8	26	27	28.5	10	27	28	31	10	28	29	31.5	10	29	30	32	10	30	31	32.5
16"	8700	3045	11300	10	28	29	32.5	10	29	30	33	10	30	31	33.5	10	31	32	34	12	32	33	36.5
18"	9600	3360	12500	10	30	31	34.5	10	31	32	35	10	32	33	35.5	10	33	34	36	12	34	35	38.5
20"	10200	3570	13800	10	32	33	36.5	10	33	34	37	10	34	35	37.5	10	35	36	38	12	36	37	40.5
24"	10800	3780	16300	10	36	38	41	10	37	39	41.5	10	38	40	42	10	39	40.5	42.5	12	40	41.5	45
30"	14100	4935	20100	10	42	43.5	47	10	43	44.5	47.5	10	44	45.5	48	12	45	46.5	50.5	12	46	47.5	51
36"	16500	5775	23900	10	48	49.5	53	10	49	50.5	53.5	10	50	51.5	54	12	51	52.5	56.5	12	52	53.5	57
42"	18600	6510	27650	10	54	55.5	59	10	55	56.5	59.5	10	56	57.5	60	12	57	58.5	62.5	12	58	59.5	63
48"	21300	7455	46380	10	60	61.5	65	10	61	62.5	65.5	10	62	63.5	66	12	63	64.5	68.5	12	64	65.5	69
56"	24800	8680	53990	10	68	69.5	73	10	69	70.5	73.5	10	70	71.5	74	12	71	72.5	76.5	12	72	73.5	77
60"	26600	9310	57910	10	72	73.5	77	10	73	74.5	77.5	10	74	75.5	78	12	75	76.5	80.5	12	76	77.5	81
66"	29300	10255	63790	10	78	79.5	82	10	79	80.5	82.5	10	80	81.5	83	12	81	82.5	85.5	12	82	83.5	86
72"	31900	11165	69450	10	84	85.5	89	10	85	86.5	89.5	10	86	87.5	90	12	87	88.5	92.5	12	88	89.5	93

\*W-Dimension is calculated by multiplying (INSULATION OD\*0.65), used only for supports pipe size 6" and larger

**Applications & Features:**

- Resists axial, vertical, and/or lateral pipe loads
- Support supplied with guide angles and axial stops
- Temperature range to 650 Deg F
- Higher temperature applications available
- Design loads based on a safety factor of 5
- A36 Steel construction
- See technical specification RHS-850
- Test results available upon request
- Steel finish available in galvanized or painted finishes
- Support features calcium silicate insulation with high density calcium silicate structural inserts
- Support constructed in accordance with ASME B31.1, B31.3 and MSS-SP58
- Water-resistant calcium silicate
- A307 or A193 B7 Plated bolts/studs
- For special applications or for information on other insulation thicknesses or pipe sizes, please contact us.

**Ordering Instructions:**

To Order, Please Specify:

- Model Number
- Nominal Pipe Size
- Insulation Thickness
- BOP
- Support Length
- Vertical Load
- Lateral & Axial Movements

\* See last page of this document for new designation model number construction

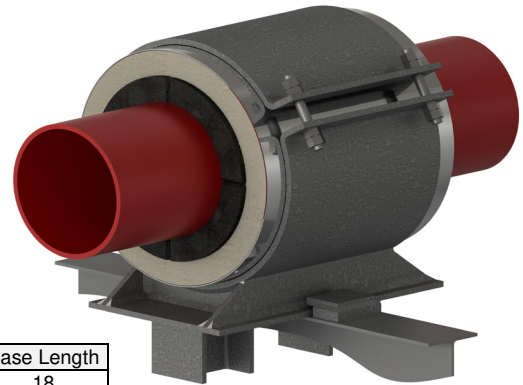
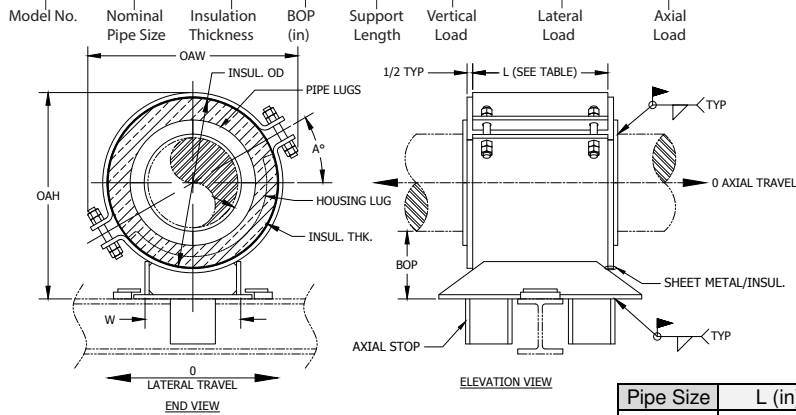
\*\* Information presented on this page subject to change without notice.



www.rilco.com

# HACS - 3 x 1.5 - 4 - 12 - 2420 - 850 - 3620 NEW DESIGNATION EXAMPLE

LEGACY DESIGNATION HA-4300



Pipe Size	L (in)	Base Length
< 14"	12	18
≥ 14"	18	18

**NOTES:**

1) All dimensions in inches unless noted.

**Do you need special loads or dimensions for this design? Please contact us at (713) 466-4777 or sales@rilco.com.**

PIPE SIZE	VERT LOAD (Lbs)	LAT LOAD (Lbs)	AXIAL LOAD (Lbs)	INSULATION THICKNESS																			
				1"				1-1/2"				2"				2-1/2"				3"			
				BOP (in)	INSUL OD (in)	OAW (in)	OAH (in)	BOP (in)	INSUL OD (in)	OAW (in)	OAH (in)	BOP (in)	INSUL OD (in)	OAW (in)	OAH (in)	BOP (in)	INSUL OD (in)	OAW (in)	OAH (in)	BOP (in)	INSUL OD (in)	OAW (in)	OAH (in)
1"	910	320	1360	4	3.5	6.5	7	4	4.5	7.5	7.5	4	5.563	8	8	4	6.625	9	8.5	6	7.625	10	11
1-1/2"	1310	460	1970	4	4	7	7.5	4	5	8	8	4	6.625	9	9	4	7.625	10	9.5	6	8.625	11	12
2"	1640	575	2460	4	4.5	7.5	8	4	5.563	8	8.5	4	6.625	9	9	4	7.625	10	9.5	6	8.625	11	12
2-1/2"	1980	695	2980	4	5	8	8.5	4	6.625	9	9.5	4	7.625	10	10	4	8.625	11	10.5	6	9.625	12	13
3"	2420	850	3620	4	5.56	8	9	4	6.625	9	9.5	4	7.625	10	10	4	8.625	11	10.5	6	9.625	12	13
4"	3110	1090	4660	4	6.625	9	10	4	7.625	10	10.5	4	8.625	11	11	4	9.625	12	11.5	6	10.75	12.5	14
6"	4570	1600	6860	4	8.625	12	12	4	9.625	12.5	12.5	4	10.75	13.5	13.5	4	11.75	14.5	14	6	12.75	15.5	16.5
8"	5950	2085	8930	4	10.75	13.5	14.5	4	11.75	14.5	15	4	12.75	15.5	15.5	6	14	16.5	18	6	15	17.5	18.5
10"	7420	2600	11130	4	12.75	15.5	16.5	4	14	16.5	17	4	15	17.5	17.5	6	16	18	20	6	17	19	20.5
12"	8800	3080	13200	4	15	17.5	18.5	4	16	18	19	4	17	19	19.5	6	18	20	22	6	19	20.5	22.5
14"	10000	3500	15000	4	16	18	19.5	4	17	19	20	4	18	20	20.5	6	19	20.5	23	6	20	21.5	23.5
16"	11600	4060	17400	4	18	20	21.5	4	19	21	22	6	20	22	24.5	6	21	23	25	6	22	23.5	25.5
18"	12800	4480	19200	4	20	22	23.5	4	21	23	24	6	22	23.5	26.5	6	23	24.5	27	6	24	25.5	27.5
20"	13600	4760	20400	4	22	23.5	25.5	4	23	24.5	26	6	24	25.5	28.5	6	25	26.5	29	6	26	27	29.5
24"	14400	5040	21600	4	26	29.5	30	4	27	30.5	30.5	6	28	31	33	6	29	32	33.5	6	30	33	34
30"	18800	6580	28200	4	32	34.5	36	6	33	35.5	38.5	6	34	36.5	39	6	35	37.5	39.5	6	36	38	40
36"	22000	7700	33000	4	38	40	42	6	39	40.5	44.5	6	40	41.5	45	6	41	42.5	45.5	6	42	43.5	46
42"	24800	8680	37200	4	44	45.5	48	6	45	46.5	50.5	6	46	47.5	51	6	47	48.5	51.5	6	48	49.5	52
48"	28400	9940	41830	4	50	51.5	54	6	51	52.5	56.5	6	52	53.5	57	6	53	54.5	57.5	6	54	55.5	58
56"	33100	11585	49260	4	58	59.5	62	6	59	60.5	64.5	6	60	61.5	65	6	61	62.5	65.5	6	62	63.5	66
60"	35500	12425	52290	4	62	63.5	66	6	63	64.5	68.5	6	64	65.5	69	6	65	66.5	69.5	6	66	67.5	70
66"	39000	13650	57910	4	68	69.5	71	6	69	70.5	73.5	6	70	71.5	74	6	71	72.5	74.5	6	72	73.5	75
72"	42600	14910	62750	4	74	75.5	78	6	75	76.5	80.5	6	76	77.5	81	6	77	78.5	81.5	6	78	79.5	82

\*W-Dimension is calculated by multiplying (INSULATION OD\*0.65), used only for supports pipe size 6" and larger

**Applications & Features:**

- Resists axial, vertical, and/or lateral pipe loads
- Support supplied with guide angles and axial stops
- Temperature range to 650 Deg F
- Higher temperature applications available
- Design loads based on a safety factor of 5
- A36 Steel construction
- See technical specification RHS-850
- Test results available upon request
- Steel finish available in galvanized or painted finishes
- Support features calcium silicate insulation with high density calcium silicate structural inserts
- Support constructed in accordance with ASME B31.1, B31.3 and MSS-SP58
- Water-resistant calcium silicate
- A307 or A193 B7 Plated bolts/studs
- For special applications or for information on other insulation thicknesses or pipe sizes, please contact us.

**Ordering Instructions:**

- To Order, Please Specify:
- Model Number
  - Nominal Pipe Size
  - Insulation Thickness
  - BOP
  - Support Length
  - Vertical Load
  - Lateral & Axial Movements

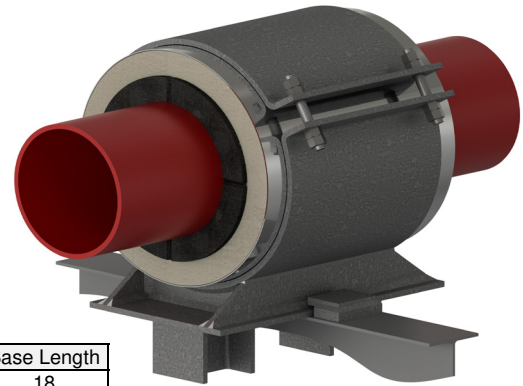
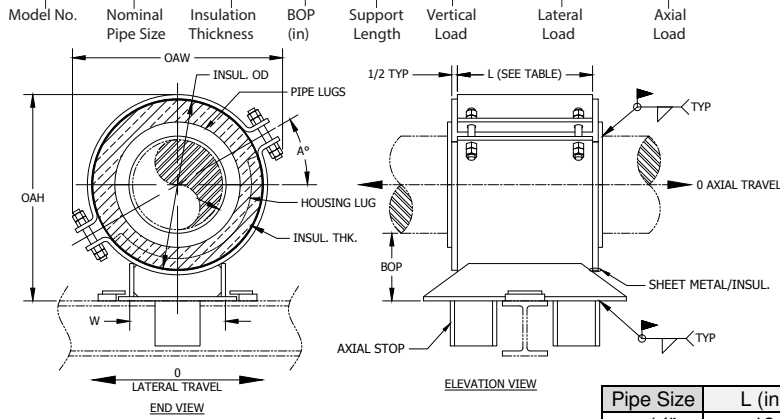
\* See last page of this document for new designation model number construction

\*\* Information presented on this page subject to change without notice.



# HACS - 3 x 1.5 - 4 - 12 - 2420 - 850 - 3620 NEW DESIGNATION EXAMPLE

LEGACY DESIGNATION HA-4300



Pipe Size	L (in)	Base Length
< 14"	12	18
≥ 14"	18	18

**NOTES:**

1) All dimensions in inches unless noted.

**Do you need special loads or dimensions for this design? Please contact us at (713) 466-4777 or sales@rilco.com.**

PIPE SIZE	VERT LOAD (Lbs)	LAT LOAD (Lbs)	AXIAL LOAD (Lbs)	INSULATION THICKNESS																			
				3-1/2"				4"				4-1/2"				5"				5-1/2"			
				BOP (in)	INSUL OD (in)	OAW (in)	OAH (in)	BOP (in)	INSUL OD (in)	OAW (in)	OAH (in)	BOP (in)	INSUL OD (in)	OAW (in)	OAH (in)	BOP (in)	INSUL OD (in)	OAW (in)	OAH (in)	BOP (in)	INSUL OD (in)	OAW (in)	OAH (in)
1"	910	320	1360	6	8.625	11	11.5	6	9.625	12	12	6	10.75	12.5	12.5	8	11.75	13.5	15	8	12.75	14.5	15.5
1-1/2"	1310	460	1970	6	9.625	12	12.5	6	10.75	12.5	13	6	11.75	13.5	13.5	8	12.75	14.5	16	8	14	15.5	16.5
2"	1640	575	2460	6	9.625	12	12.5	6	10.75	12.5	13	6	11.75	13.5	13.5	8	12.75	14.5	16	8	14	15.5	16.5
2-1/2"	1980	695	2980	6	10.75	12.5	13.5	6	11.75	13.5	14	6	12.75	14.5	14.5	8	14	15.5	17	8	15	16.5	17.5
3"	2420	850	3620	6	10.75	12.5	13.5	6	11.75	13.5	14	6	12.75	14.5	14.5	8	14	15.5	17.5	8	15	16.5	18
4"	3110	1090	4660	6	11.75	13.5	14.5	6	12.75	14.5	15	6	14	15.5	16	8	15	16.5	18.5	8	16	17.5	19
6"	4570	1600	6860	6	14	16.5	17	6	15	17.5	17.5	6	16	18	18	8	17	19	20.5	8	18	20	21
8"	5950	2085	8930	6	16	18	19	6	17	19	19.5	8	18	20	22	8	19	20.5	22.5	8	20	21.5	23
10"	7420	2600	11130	6	18	20	21	6	19	20.5	21.5	8	20	21.5	24	8	21	22.5	24.5	8	22	23.5	25
12"	8800	3080	13200	6	20	21.5	23	6	21	22.5	23.5	8	22	23.5	26	8	23	24	26.5	8	24	25	27
14"	10000	3500	15000	6	21	22.5	24	6	22	23.5	24.5	8	23	24	27	8	24	25	27.5	8	25	26	28
16"	11600	4060	17400	6	23	24.5	26	8	24	25.5	28.5	8	25	26.5	29	8	26	27	29.5	8	27	28	30
18"	12800	4480	19200	6	25	26.5	28	8	26	27	30.5	8	27	28	31	8	28	29	31.5	8	29	30	32
20"	13600	4760	20400	6	27	28	30	8	28	29	32.5	8	29	30	33	8	30	31	33.5	8	31	32	34
24"	14400	5040	21600	6	31	34	34.5	8	32	34.5	37	8	33	35.5	37.5	8	34	36.5	38	8	35	37.5	38.5
30"	18800	6580	28200	8	37	39	42.5	8	38	40	43	8	39	40.5	43.5	8	40	41.5	44	10	41	42.5	46.5
36"	22000	7700	33000	8	43	44.5	48.5	8	44	45.5	49	8	45	46.5	49.5	8	46	47.5	50	10	47	48.5	52.5
42"	24800	8680	37200	8	49	50.5	54.5	8	50	51.5	55	8	51	52.5	55.5	8	52	53.5	56	10	53	54.5	58.5
48"	28400	9940	41830	8	55	56.5	60.5	8	56	57.5	61	8	57	58.5	61.5	8	58	59.5	62	10	59	60.5	64.5
56"	33100	11585	47206	8	63	64.5	68.5	8	64	65.5	69	8	65	66.5	69.5	8	66	67.5	70	10	67	68.5	72.5
60"	35500	12425	47729	8	67	68.5	72.5	8	68	69.5	73	8	69	70.5	73.5	8	70	71.5	74	10	71	72.5	76.5
66"	39000	13650	51910	8	73	74.5	77.5	8	74	75.5	78	8	75	76.5	78.5	8	76	77.5	79	10	77	78.5	81.5
72"	42600	14910	56750	8	79	80.5	84.5	8	80	81.5	85	8	81	82.5	85.5	8	82	83.5	86	10	83	84.5	88.5

\*W-Dimension is calculated by multiplying (INSULATION OD\*0.65), used only for supports pipe size 6" and larger

**Applications & Features:**

- Resists axial, vertical, and/or lateral pipe loads
- Support supplied with guide angles and axial stops
- Temperature range to 650 Deg F
- Higher temperature applications available
- Design loads based on a safety factor of 5
- A36 Steel construction
- See technical specification RHS-850
- Test results available upon request
- Steel finish available in galvanized or painted finishes
- Support features calcium silicate insulation with high density calcium silicate structural inserts
- Support constructed in accordance with ASME B31.1, B31.3 and MSS-SP58
- Water-resistant calcium silicate
- A307 or A193 B7 Plated bolts/studs
- For special applications or for information on other insulation thicknesses or pipe sizes, please contact us.

**Ordering Instructions:**

- To Order, Please Specify:
- Model Number
  - Nominal Pipe Size
  - Insulation Thickness
  - BOP
  - Support Length
  - Vertical Load
  - Lateral & Axial Movements

\* See last page of this document for new designation model number construction

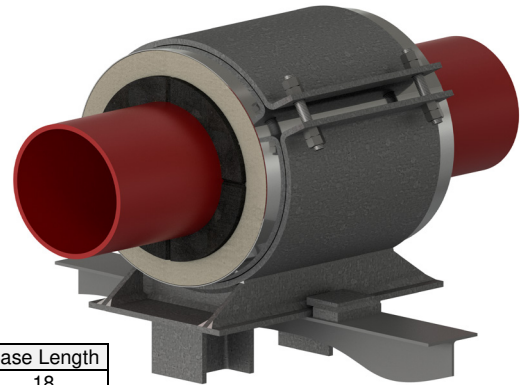
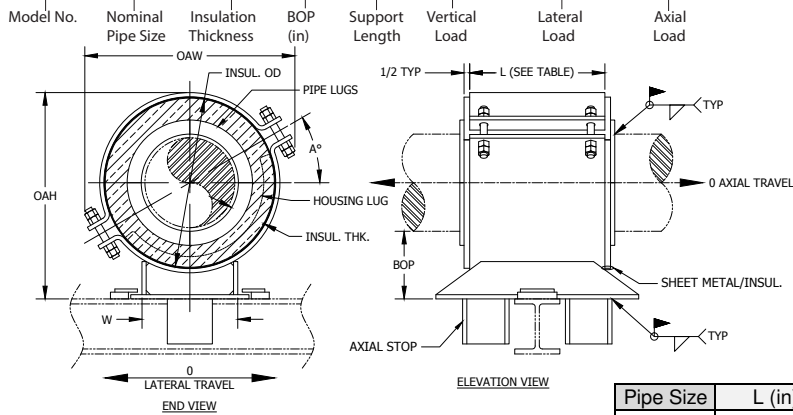
\*\* Information presented on this page subject to change without notice.



www.rilco.com

# HACS - 3 x 1.5 - 4 - 12 - 2420 - 850 - 3620 NEW DESIGNATION EXAMPLE

LEGACY DESIGNATION HA-4300



**NOTES:**

1) All dimensions in inches unless noted.

**Do you need special loads or dimensions for this design? Please contact us at (713) 466-4777 or sales@rilco.com.**

PIPE SIZE	VERT LOAD (Lbs)	LAT LOAD (Lbs)	AXIAL LOAD (Lbs)	INSULATION THICKNESS																			
				6"				6-1/2"				7"				7-1/2"				8"			
				BOP (in)	INSUL OD (in)	OAW (in)	OAH (in)	BOP (in)	INSUL OD (in)	OAW (in)	OAH (in)	BOP (in)	INSUL OD (in)	OAW (in)	OAH (in)	BOP (in)	INSUL OD (in)	OAW (in)	OAH (in)	BOP (in)	INSUL OD (in)	OAW (in)	OAH (in)
1"	910	320	1360	8	14	15.5	16	8	15	16.5	16.5	10	16	17.5	19	10	17	18	19.5	10	18	19	20
1-1/2"	1310	460	1970	8	15	16.5	17	8	16	17.5	17.5	10	17	18	20	10	18	19	20.5	10	19	20	21
2"	1640	575	2460	8	15	16.5	17	8	16	17.5	17.5	10	17	18	20	10	18	19	20.5	10	19	20	21
2-1/2"	1980	695	2980	8	16	17.5	18	8	17	18	18.5	10	18	19	21	10	19	20	21.5	10	20	20.5	22
3"	2420	850	3620	8	16	17.5	18.5	8	17	18	19	10	18	19	21.5	10	19	20	22	10	20	20.5	22.5
4"	3110	1090	4660	8	17	18	19.5	8	18	19	20	10	19	20	22.5	10	20	20.5	23	10	21	21.5	23.5
6"	4570	1600	6860	8	19	20.5	21.5	8	20	21.5	22	10	21	22.5	24.5	10	22	23.5	25	10	23	24	25.5
8"	5950	2085	8930	8	21	22.5	23.5	10	22	23.5	26	10	23	24	26.5	10	24	25	27	10	25	26	27.5
10"	7420	2600	11130	8	23	24	25.5	10	24	25	28	10	25	26	28.5	10	26	27	29	10	27	28	29.5
12"	8800	3080	13200	8	25	26	27.5	10	26	27	30	10	27	28	30.5	10	28	29	31	10	29	30	31.5
14"	10000	3500	15000	8	26	27	28.5	10	27	28	31	10	28	29	31.5	10	29	30	32	10	30	31	32.5
16"	11600	4060	17400	10	28	29	32.5	10	29	30	33	10	30	31	33.5	10	31	32	34	12	32	33	36.5
18"	12800	4480	19200	10	30	31	34.5	10	31	32	35	10	32	33	35.5	10	33	34	36	12	34	35	38.5
20"	13600	4760	20400	10	32	33	36.5	10	33	34	37	10	34	35	37.5	10	35	36	38	12	36	37	40.5
24"	14400	5040	21600	10	36	38	41	10	37	39	41.5	10	38	40	42	10	39	40.5	42.5	12	40	41.5	45
30"	18800	6580	28200	10	42	43.5	47	10	43	44.5	47.5	10	44	45.5	48	12	45	46.5	50.5	12	46	47.5	51
36"	22000	7700	33000	10	48	49.5	53	10	49	50.5	53.5	10	50	51.5	54	12	51	52.5	56.5	12	52	53.5	57
42"	24800	8680	37200	10	54	55.5	59	10	55	56.5	59.5	10	56	57.5	60	12	57	58.5	62.5	12	58	59.5	63
48"	28400	9940	41830	10	60	61.5	65	10	61	62.5	65.5	10	62	63.5	66	12	63	64.5	68.5	12	64	65.5	69
56"	33100	11585	472060	10	68	69.5	73	10	69	70.5	73.5	10	70	71.5	74	12	71	72.5	76.5	12	72	73.5	77
60"	35500	12425	477290	10	72	73.5	77	10	73	74.5	77.5	10	74	75.5	78	12	75	76.5	80.5	12	76	77.5	81
66"	39000	13650	518490	10	78	79.5	82	10	79	80.5	82.5	10	80	81.5	83	12	81	82.5	85.5	12	82	83.5	86
72"	42600	14910	562750	10	84	85.5	89	10	85	86.5	89.5	10	86	87.5	90	12	87	88.5	92.5	12	88	89.5	93

\*W-Dimension is calculated by multiplying (INSULATION OD\*0.65), used only for supports pipe size 6" and larger

**Applications & Features:**

- Resists axial, vertical, and/or lateral pipe loads
- Support supplied with guide angles and axial stops
- Temperature range to 650 Deg F
- Higher temperature applications available
- Design loads based on a safety factor of 5
- A36 Steel construction
- See technical specification RHS-850
- Test results available upon request
- Steel finish available in galvanized or painted finishes
- Support features calcium silicate insulation with high density calcium silicate structural inserts
- Support constructed in accordance with ASME B31.1, B31.3 and MSS-SP58
- Water-resistant calcium silicate
- A307 or A193 B7 Plated bolts/studs
- For special applications or for information on other insulation thicknesses or pipe sizes, please contact us.

**Ordering Instructions:**

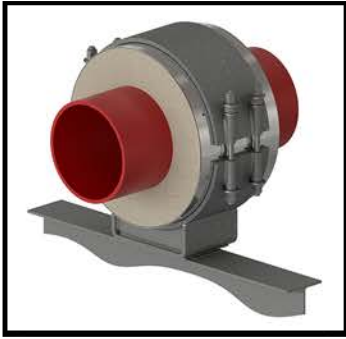
To Order, Please Specify:

- Model Number
- Nominal Pipe Size
- Insulation Thickness
- BOP
- Support Length
- Vertical Load
- Lateral & Axial Movements

\* See last page of this document for new designation model number construction

\*\* Information presented on this page subject to change without notice.





# HSCS - 6x3-4-18-3500-1200-2000

## TEMPERATURE CLASSIFICATION

HOT (H) - (typical range 0°F to 1200°F)

COLD (C) - (typical range -450°F to 200°F)

DUAL TEMP (D) - (typical range -450°F to 1200°F)

## FUNCTION

**SLIDE** (S) (for vertically restrained pipe)  
i.e. HSCS-3x1.5-4-12-2100

- **SLIDE** (H) (for vertically restrained pipe, high lateral travel)  
i.e. HS(H)CS-1x1.5-4-6-225-80

**GUIDE** (G) (for vertically and laterally restrained pipe)  
i.e. HGCS-6x1.5-4-6-1275-450

- **GUIDE** (L) (for vertically and laterally restrained pipe, allows uplift of piping)  
i.e. HG(L)CS-1x1.5-4-6-225-80

- **GUIDE** (M) (for vertically and laterally restrained pipe, guided at cradle)  
i.e. HG(M)CS-1x1.5-4-6-225-80

**ANCHOR** (A) (for vertically, laterally and axially restrained pipe)  
i.e. HACS-4x1.5-4-6-840-295-1730

**HANGING** (H) (for vertically restrained pipe)  
i.e. HHCS-3x1.5-4-12-2100

**RISER** (V) (for vertically restrained pipe)  
i.e. HVCS-3x1.5-4-12-2100

**FLAT** (F) (for vertically restrained pipe)  
i.e. HFCS-3x1.5-4-12-2100

**ROLLER** (R) (for vertically restrained pipe)  
i.e. HRCS-3x1.5-4-12-2100

## INSULATION TYPE

Calcium Silicate (CS)

PyroWrap (PW) (Aspen Aerogels Pyrogel® XT-E)

Polyurethane Foam (PF)

FOAMGLAS® (FG)

CryoWrap (CW) (Aspen Aerogels Cryogel® Z)

