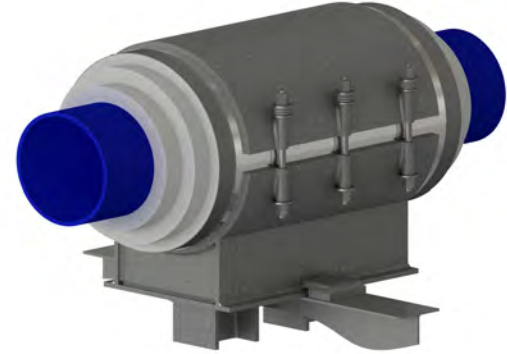
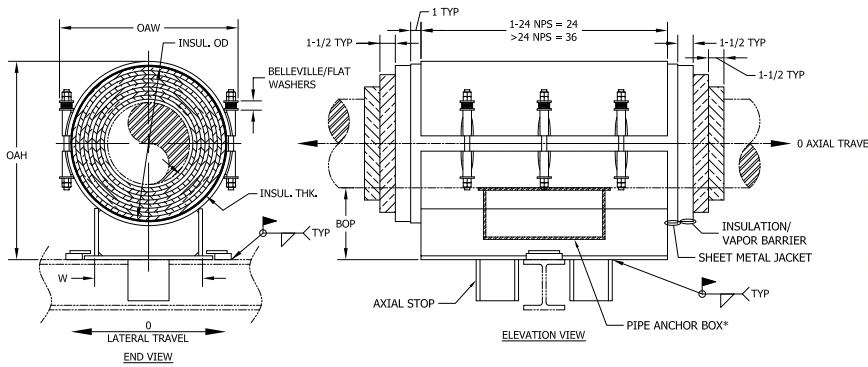


CACW - 8 x 30 - 4 - 12 - 4335 - 1520 - 1860

CryoWrap Anchored Support

Model No. Nominal Pipe Size Insulation Thickness BOP (in) Support Length Vertical Load Lateral Load Axial Load DESIGNATION EXAMPLE



NOTES:

1) All dimensions in inches unless noted.

* - Pipe anchor box to be compatible with process pipe material.

PIPE SIZE	VERT. LOAD (lbs)	LAT. LOAD (lbs)	AXI. LOAD (lbs)	INSULATION THICKNESS																			
				10mm				20mm				30mm				40mm				50mm			
				BOP (in)	INSUL. OD (in)	OAW (in)	OAH (in)	BOP (in)	INSUL. OD (in)	OAW (in)	OAH (in)	BOP (in)	INSUL. OD (in)	OAW (in)	OAH (in)	BOP (in)	INSUL. OD (in)	OAW (in)	OAH (in)	BOP (in)	INSUL. OD (in)	OAW (in)	OAH (in)
Do you need special loads or dimensions for this design? Please contact us at (713) 466-4777 or sales@rilco.com!																							
1"	510	180	550	4	2.2	6	6	4	2.9	7.5	6.5	4	3.7	8.5	7	4	4.5	9.5	7.5	4	5.3	10.5	7.5
1-1/2"	740	260	550	4	2.7	6.5	6.5	4	3.5	7.5	7	4	4.3	8.5	7.5	4	5.1	9.5	8	4	5.9	10.5	8.5
2"	930	330	550	4	3.2	6.5	7	4	4	7.5	7.5	4	4.8	8.5	8	4	5.6	9.5	8.5	4	6.4	10.5	9
2-1/2"	1115	395	760	4	3.7	7	7.5	4	4.5	8	8	4	5.3	8.5	8.5	4	6.1	9.5	9	4	6.9	10.5	9.5
3"	1360	480	650	4	4.3	7.5	8.5	4	5.1	8.5	8.5	4	5.9	9	9	4	6.7	9.5	9.5	4	7.5	10.5	10
4"	2125	745	760	4	5.3	10	9.5	4	6.1	10.5	9.5	4	6.9	11.5	10	4	7.7	12	10.5	4	8.5	13	11
6"	3230	1135	1510	4	7.5	12	11.5	4	8.2	12.5	12	4	9	13.5	12.5	4	9.8	14	12.5	4	10.6	15	13
8"	4335	1520	1860	4	9.5	14	13.5	4	10.2	15	14	4	11	15.5	14.5	4	11.8	16.5	14.5	4	12.6	17	15
10"	5100	1785	2370	4	11.6	16	15.5	4	12.4	17	16	4	13.2	17.5	16.5	4	13.9	18.5	17	4	14.7	19	17
12"	5610	1965	4570	4	13.6	17	17.5	4	14.4	18	18	4	15.2	19	18.5	4	15.9	19.5	19	4	16.7	20.5	19
14"	6375	2235	4750	4	14.8	19	19	4	15.6	20	19.5	4	16.4	21	19.5	4	17.2	21.5	20	4	18	22.5	20.5
16"	7395	2590	4910	4	16.8	21.5	21	4	17.6	22.5	21.5	4	18.4	23.5	22	4	19.2	24	22	6	20	25	24.5
18"	8160	2860	5460	4	18.8	23.5	23	4	19.6	24.5	23.5	4	20.4	25.5	24	4	21.2	26	24	6	22	27	26.5
20"	8670	3035	6010	4	20.8	27.5	25	4	21.6	28.5	25.5	4	22.4	29.5	26	4	23.2	30	26	6	24	31	28.5
24"	9180	3215	12910	4	24.8	33.5	29	4	25.6	34.5	29.5	4	26.4	35.5	30	4	27.2	36	30.5	6	28	37	32.5
30"	11985	4195	15890	4	30.8	39.5	35	4	31.6	40.5	35.5	4	32.4	41.5	36	6	33.2	42	38.5	6	34	43	38.5
36"	17360	6080	18870	4	36.8	46	41	4	37.6	47	41.5	4	38.4	47.5	42	6	39.2	48.5	44.5	6	40	49	44.5
42"	26350	9225	21840	4	42.8	52	47	4	43.6	53	47.5	4	44.4	53.5	48	6	45.2	54.5	50.5	6	46	55	50.5
48"	29410	10295	22700	4	48.8	60	53	4	49.6	61	53.5	4	50.4	61.5	54	6	51.2	62.5	56.5	6	52	63	56.5
56"	34340	12020	25380	4	56.8	64	61	4	57.6	65	61.5	4	58.4	65.5	62	6	59.2	66.5	64.5	6	60	67	64.5
60"	36805	12885	26170	4	60.8	70	65	4	61.6	71	65.5	4	62.4	71.5	66	6	63.2	72.5	68.5	6	64	73	68.5
66"	40460	14165	26610	4	66.8	76	70	4	67.6	77	70.5	4	68.4	77.5	71	6	69.2	78.5	73.5	6	70	79	73.5
72"	44200	15470	26700	4	72.8	66	77	4	73.6	66.5	77.5	4	74.4	67	78	6	75.2	68	80.5	6	76	68.5	80.5

*W - Dimension is calculated by multiplying (INSULATION OD*0.65), when base is not a WT member.

Applications & Features:

- Temperature range to -460 Deg F to 195 Deg F
- Higher temperature applications available
- Teflon®/2B SS 304 slide plates on shoe and supporting steel on sizes 26" and larger
- Design loads based on a safety factor of 5
- A36 steel construction
- Patented anchor system allows increased load carrying capability and decreased heat transfer
- See technical specification RCS-750
- Test results available upon request
- Steel finish available in galvanized finish or painted
- Increased loading capability available. Contact Rilco for additional information
- Support constructed in accordance with ASME B31.1, B31.3 and MSS-SP58
- A307 or A193 B7 plated bolts/studs

For special applications or for information on other insulation thicknesses or pipe sizes, please contact us!

Ordering Instructions:

To Order, Please Specify:

- Model Number
- Nominal Pipe Size
- Insulation Thickness
- BOP
- Support Length
- Vertical Load
- Movements

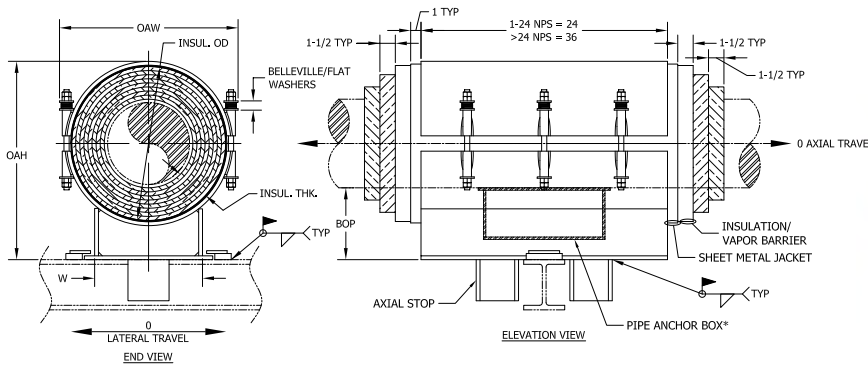
* See last page of this document for new designation model number construction.

** Information presented on this page subject to change without notice.

CACW - 8 x 30 - 4 - 12 - 4335 - 1520 - 1860

CryoWrap Anchored Support

Model No. Nominal Pipe Size Insulation Thickness BOP (in) Support Length Vertical Load Lateral Load Axial Load DESIGNATION EXAMPLE



NOTES:

1) All dimensions in inches unless noted.

* - Pipe anchor box to be compatible with process pipe material.

PIPE SIZE	VERT. LOAD (lbs)	LAT. LOAD (lbs)	AXI. LOAD (lbs)	INSULATION THICKNESS																			
				60mm				70mm				80mm				90mm				100mm			
				BOP (in)	INSUL. OD (in)	OAW (in)	OAH (in)	BOP (in)	INSUL. OD (in)	OAW (in)	OAH (in)	BOP (in)	INSUL. OD (in)	OAW (in)	OAH (in)	BOP (in)	INSUL. OD (in)	OAW (in)	OAH (in)				
Do you need special loads or dimensions for this design? Please contact us at (713) 466-4777 or sales@rilco.com!																							
1"	510	180	550	4	6.1	12.5	8	6	6.9	12.5	10.5	6	7.7	12.5	11	6	8.5	12.5	11.5	6	9.2	12.5	11.5
1-1/2"	740	260	550	4	6.7	12.5	8.5	6	7.5	12.5	11	6	8.2	12.5	11.5	6	9	12.5	12	6	9.8	12.5	12.5
2"	930	330	550	4	7.1	12.5	9	6	7.9	12.5	11.5	6	8.7	12.5	12	6	9.5	12.5	12.5	6	10.3	13	13
2-1/2"	1115	395	760	4	7.6	12.5	9.5	6	8.4	12.5	12	6	9.2	12.5	12.5	6	10	12.5	13	6	10.8	13.5	13.5
3"	1360	480	650	4	8.3	12.5	10.5	6	9.1	12.5	12.5	6	9.8	12.5	13	6	10.6	13.5	13.5	6	11.4	14.5	14
4"	2125	745	760	4	9.3	14	11.5	6	10.1	14.5	13.5	6	10.8	15.5	14	6	11.6	16	14.5	6	12.4	17	15
6"	3230	1135	1510	4	11.4	16	13.5	6	12.2	16.5	16	6	13	17.5	16.5	6	13.8	18	16.5	6	14.5	19	17
8"	4335	1520	1860	6	13.4	18	17.5	6	14.2	18.5	18	6	15	19.5	18.5	6	15.8	20.5	18.5	8	16.5	21	21
10"	5100	1785	2370	6	15.5	20	19.5	6	16.3	20.5	20	6	17.1	21.5	20.5	6	17.9	22.5	21	8	18.7	23	23
12"	5610	1965	4570	6	17.5	21	21.5	6	18.3	22	22	6	19.1	22.5	22.5	6	19.9	23.5	23	8	20.7	24.5	25
14"	6375	2235	4750	6	18.8	23	23	6	19.6	24	23.5	6	20.3	24.5	23.5	6	21.1	25.5	24	8	21.9	26.5	26.5
16"	7395	2590	4910	6	20.8	25.5	25	6	21.6	26.5	25.5	6	22.3	27	26	8	23.1	28	28	8	23.9	29	28.5
18"	8160	2860	5460	6	22.8	27.5	27	6	23.6	28.5	27.5	6	24.3	29	28	8	25.1	30	30	8	25.9	31	30.5
20"	8670	3035	6010	6	24.8	31.5	29	6	25.6	32.5	29.5	6	26.3	33	30	8	27.1	34	32	8	27.9	35	32.5
24"	9180	3215	12910	6	28.8	37.5	33	6	29.6	38.5	33.5	6	30.3	39	34	8	31.1	40	36.5	8	31.9	41	36.5
30"	11985	4195	15890	6	34.8	43.5	39	6	35.6	44.5	39.5	8	36.3	45	42	8	37.1	46	42.5	8	37.9	47	42.5
36"	17360	6080	18870	6	40.8	50	45	6	41.6	51	45.5	8	42.3	51.5	48	8	43.1	52.5	48.5	8	43.9	53	48.5
42"	26350	9225	21840	6	46.8	56	51	6	47.6	57	51.5	8	48.3	57.5	54	8	49.1	58.5	54.5	8	49.9	59	54.5
48"	29410	10295	22700	6	52.8	64	57	6	53.6	65	57.5	8	54.3	65.5	60	8	55.1	66.5	60.5	8	55.9	67	60.5
56"	34340	12020	25380	6	60.8	68	65	6	61.6	69	65.5	8	62.3	69.5	68	8	63.1	70.5	68.5	8	63.9	71	68.5
60"	36805	12885	26170	6	64.8	74	69	6	65.6	75	69.5	8	66.3	75.5	72	8	67.1	76.5	72.5	8	67.9	77	72.5
66"	40460	14165	26610	6	70.8	80	74	6	71.6	81	74.5	8	72.3	81.5	77	8	73.1	82.5	77.5	8	73.9	83	77.5
72"	44200	15470	26700	6	76.8	69.5	81	6	77.6	70	81.5	8	78.3	70.5	84	8	79.1	71	84.5	8	79.9	72	84.5

*W - Dimension is calculated by multiplying (INSULATION OD*0.65), when base is not a WT member.

Applications & Features:

- Temperature range to -460 Deg F to 195 Deg F
- Higher temperature applications available
- Teflon®/2B SS 304 slide plates on shoe and supporting steel on sizes 26" and larger
- Design loads based on a safety factor of 5
- A36 steel construction
- Patented anchor system allows increased load carrying capability and decreased heat transfer
- See technical specification RCS-750
- Test results available upon request
- Steel finish available in galvanized finish or painted
- Increased loading capability available. Contact Rilco for additional information
- Support constructed in accordance with ASME B31.1, B31.3 and MSS-SP58
- A307 or A193 B7 plated bolts/studs

For special applications or for information on other insulation thicknesses or pipe sizes, please contact us!

Ordering Instructions:

To Order, Please Specify:

- Model Number
- Nominal Pipe Size
- Insulation Thickness
- BOP
- Support Length
- Vertical Load
- Movements

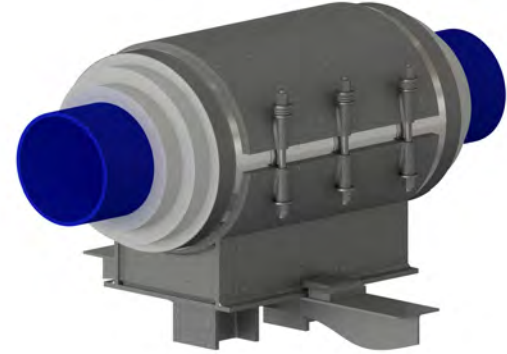
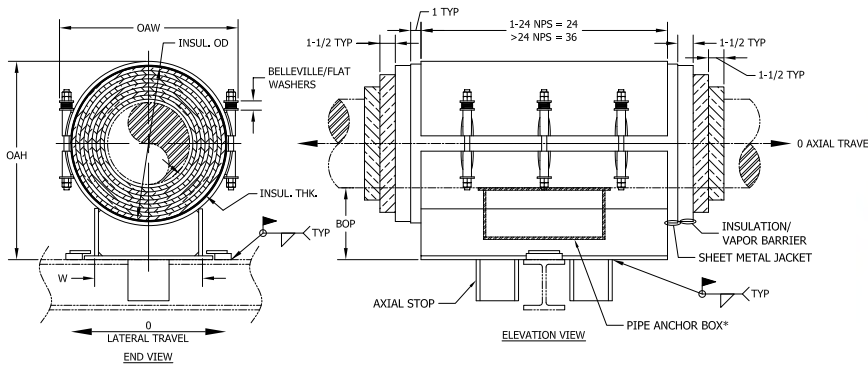
* See last page of this document for new designation model number construction.

** Information presented on this page subject to change without notice.

CACW - 8 x 30 - 4 - 12 - 4335 - 1520 - 1860

CryoWrap Anchored Support

Model No. Nominal Pipe Size Insulation Thickness BOP (in) Support Length Vertical Load Lateral Load Axial Load DESIGNATION EXAMPLE



NOTES:

1) All dimensions in inches unless noted.

* - Pipe anchor box to be compatible with process pipe material.

PIPE SIZE	VERT. LOAD (lbs)	LAT. LOAD (lbs)	AXI. LOAD (lbs)	INSULATION THICKNESS																			
				110mm				120mm				130mm				140mm				150mm			
				BOP (in)	INSUL. OD (in)	OAW (in)	OAH (in)	BOP (in)	INSUL. OD (in)	OAW (in)	OAH (in)	BOP (in)	INSUL. OD (in)	OAW (in)	OAH (in)	BOP (in)	INSUL. OD (in)	OAW (in)	OAH (in)	BOP (in)	INSUL. OD (in)	OAW (in)	OAH (in)
Do you need special loads or dimensions for this design? Please contact us at (713) 466-4777 or sales@rilco.com!																							
1"	510	180	550	8	10	12.5	14	8	10.8	13.5	14.5	8	11.6	14	15	8	12.4	15	15.5	10	13.2	15.5	17.5
1-1/2"	740	260	550	8	10.6	13	14.5	8	11.4	14	15	8	12.2	14.5	15.5	8	13	15.5	16	10	13.8	16	18.5
2"	930	330	550	8	11.1	13.5	15	8	11.9	14.5	15.5	8	12.7	15	16	8	13.4	16	16.5	10	14.2	16.5	18.5
2-1/2"	1115	395	760	8	11.6	14	15.5	8	12.4	15	16	8	13.2	15.5	16.5	8	13.9	16.5	17	10	14.7	17.5	19
3"	1360	480	650	8	12.2	15	16.5	8	13	16	16.5	8	13.8	16.5	17	8	14.6	17.5	17.5	10	15.4	18.5	20
4"	2125	745	760	8	13.2	17.5	17.5	8	14	18.5	17.5	8	14.8	19.5	18	8	15.6	20	18.5	10	16.4	21	21
6"	3230	1135	1510	8	15.3	19.5	19.5	8	16.1	20.5	20	8	16.9	21.5	20.5	8	17.7	22	20.5	10	18.5	23	23
8"	4335	1520	1860	8	17.3	22	21.5	8	18.1	22.5	22	8	18.9	23.5	22.5	10	19.7	24	24.5	10	20.5	25	25
10"	5100	1785	2370	8	19.5	24	23.5	8	20.2	24.5	24	8	21	25.5	24.5	10	21.8	26	27	10	22.6	27	27
12"	5610	1965	4570	8	21.5	25	25.5	8	22.2	26	26	8	23	26.5	26.5	10	23.8	27.5	29	10	24.6	28.5	29
14"	6375	2235	4750	8	22.7	27	27	8	23.5	28	27	8	24.3	28.5	27.5	10	25.1	29.5	30	10	25.9	30.5	30.5
16"	7395	2590	4910	8	24.7	29.5	29	8	25.5	30.5	29.5	10	26.3	31	32	10	27.1	32	32	10	27.9	33	32.5
18"	8160	2860	5460	8	26.7	31.5	31	8	27.5	32.5	31.5	10	28.3	33	34	10	29.1	34	34	10	29.9	35	34.5
20"	8670	3035	6010	8	28.7	35.5	33	8	29.5	36.5	33.5	10	30.3	37	36	10	31.1	38	36	10	31.9	39	36.5
24"	9180	3215	12910	8	32.7	41.5	37	8	33.5	42.5	37.5	10	34.3	43	40	10	35.1	44	40.5	10	35.9	45	40.5
30"	11985	4195	15890	8	38.7	47.5	43	10	39.5	48.5	45.5	10	40.3	49	46	10	41.1	50	46.5	10	41.9	51	46.5
36"	17360	6080	18870	8	44.7	54	49	10	45.5	54.5	51.5	10	46.3	55.5	52	10	47.1	56.5	52.5	10	47.9	57	52.5
42"	26350	9225	21840	8	50.7	60	55	10	51.5	60.5	57.5	10	52.3	61.5	58	10	53.1	62.5	58.5	10	53.9	63	58.5
48"	29410	10295	22700	8	56.7	68	61	10	57.5	68.5	63.5	10	58.3	69.5	64	10	59.1	70.5	64.5	10	59.9	71	64.5
56"	34340	12020	25380	8	64.7	72	69	10	65.5	72.5	71.5	10	66.3	73.5	72	10	67.1	74.5	72.5	10	67.9	75	72.5
60"	36805	12885	26170	8	68.7	78	73	10	69.5	78.5	75.5	10	70.3	79.5	76	10	71.1	80.5	76.5	10	71.9	81	76.5
66"	40460	14165	26610	8	74.7	84	78	10	75.5	84.5	80.5	10	76.3	85.5	81	10	77.1	86.5	81.5	10	77.9	87	81.5
72"	44200	15470	26700	8	80.7	72.5	85	10	81.5	73.5	87.5	10	82.3	74	88	10	83.1	74.5	88.5	10	83.9	75.5	88.5

*W - Dimension is calculated by multiplying (INSULATION OD*0.65), when base is not a WT member.

Applications & Features:

- Temperature range to -460 Deg F to 195 Deg F
- Higher temperature applications available
- Teflon®/2B SS 304 slide plates on shoe and supporting steel on sizes 26" and larger
- Design loads based on a safety factor of 5
- A36 steel construction
- Patented anchor system allows increased load carrying capability and decreased heat transfer
- See technical specification RCS-750
- Test results available upon request
- Steel finish available in galvanized finish or painted
- Increased loading capability available. Contact Rilco for additional information
- Support constructed in accordance with ASME B31.1, B31.3 and MSS-SP58
- A307 or A193 B7 plated bolts/studs

For special applications or for information on other insulation thicknesses or pipe sizes, please contact us!

Ordering Instructions:

To Order, Please Specify:

- Model Number
- Nominal Pipe Size
- Insulation Thickness
- BOP
- Support Length
- Vertical Load
- Movements

* See last page of this document for new designation model number construction.

** Information presented on this page subject to change without notice.