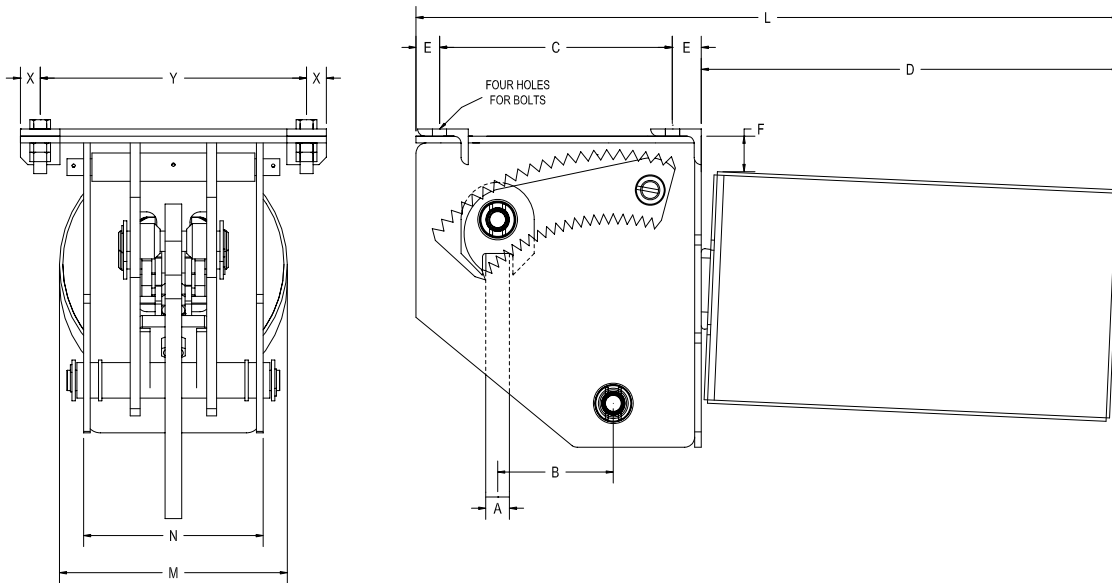


RCS-81H Type D



The RCS-81H "TYPE D" designed to be attached directly under the steel support member. Available in most types of finishes.

Hanger Sizes	D	E	F	M	N	X	Y	Angle Size	Total Travel (in.)	L	C	Factors	A (max.)
1 - 9	5 15/16	1	7/8	6 1/8	4 1/8	3/4	5 5/8	2 x 2 x 1/4	≤ 4	13 15/16	6	13 3/8	1/2
									>4 1/2	17 15/16	10	15 15/16	
10 - 18	8 7/16	3 1/4	1/2	8 5/16	6 7/16	7/8	8 1/16	1.5 x 1.5 x 1/4	≤ 5	18 7/16	3 1/2	11 13/16	3/4
									>5 1/2	20 15/16	6	14 3/16	
19 - 34	14 7/16	1 1/2	5/8	12 7/16	8 9/16	1 1/8	11 5/16	3 x 3.5 x 1/4	≤ 5	26 15/16	9 1/2	17 3/4	1 1/4
									>5 1/2	31 1/16	13 5/8	19 7/8	
35 - 49	17 1/16	2	11/16	13 3/4	9 13/16	1 3/8	13	3 x 4 x 3/8	≤ 6	31 9/16	10 1/2	20 13/16	1 3/4
									>6 1/2	39 9/16	18 1/2	25 7/16	
50 - 63	26 3/16	2	15/16	17 11/16	11 1/4	1 5/8	14 5/8	4 x 4 x 3/8	≤ 8	45 9/16	15 3/8	27 1/16	2 1/4
									8 1/2 to 11	53 9/16	23 3/8	27 1/16	
									>11 1/2	53 9/16	23 3/8	32 3/8	
64 - 74	35 3/4	3	3 1/4	22 3/16	11	2	15	4 x 6 x 1/2	≤ 10 1/2	57 1/2	15 3/4	38 3/8	2 3/4
									>11	63	21 1/4	38 1/2	
75 - 83	35 3/4	3	3 5/8	27 3/16	11	2	15	4 x 6 x 1/2	≤ 10 1/2	57 1/2	15 3/4	41 1/4	3 1/4
									>11	63	21 1/4	41 3/8	
84-110	Not Available												

"A"-Rod Selection Chart

Loads (lbs)	0 800	801 1500	1501 2540	2541 4000	4001 6100	6101 9400	9401 13400	13401 18300	18301 24700	24701 31000	31001 39000	39001 48000	48001 58000
A Rod Size	1/2	5/8	3/4	1	1 1/4	1 1/2	1 3/4	2	2 1/4	2 1/2	2 3/4	3	3 1/4*

* 3 1/4" is furnished with 8 UN series thread.