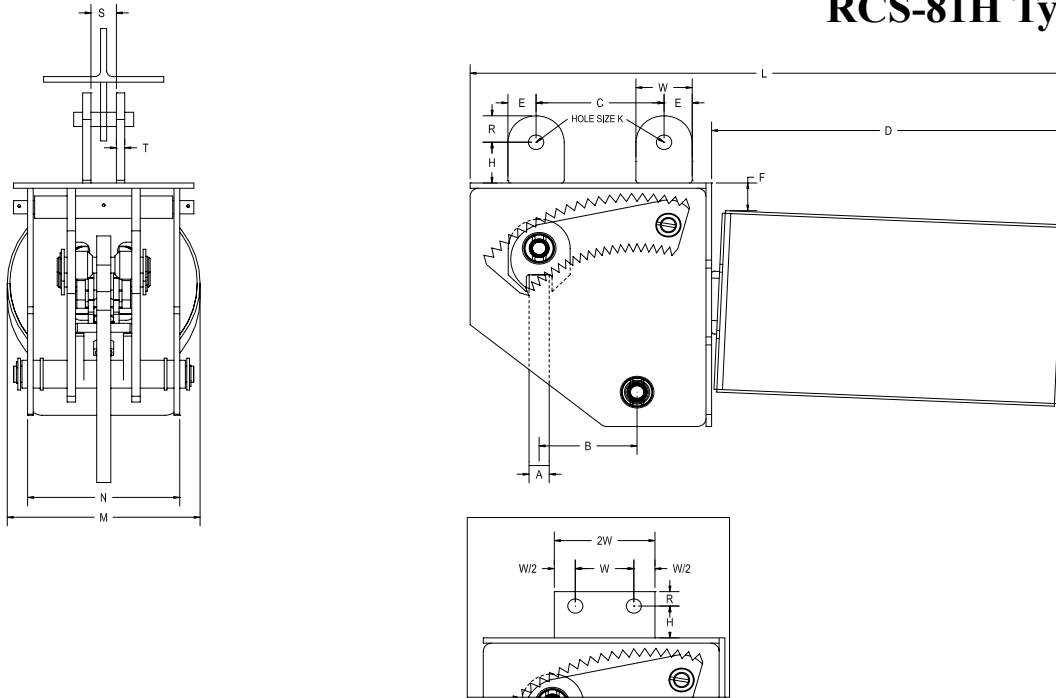


RCS-81H Type C



The RCS-81H "TYPE C" manufactured using two(2) lugs to accommodate attachment to the building structure also allowing for the use of various types of attachments. (Example: RILCO Part# 220). Available in most types of finishes.

Hanger Sizes	D	E	F	H	M	N	Total Travel (in.)	L	C	Factors	A (max.)
1 - 9	8 7/16	1 1/4	7/8	1 1/2	6 1/8	4 1/8	≤ 4	13 15/16	5 1/2	14 5/8	1/2
							>4 1/2	17 15/16	9 1/2	17 3/16	
10 - 18	8 7/16	1 1/4	1/2	1 1/2	8 5/16	6 7/16	≤ 5	18 7/16	7 1/2	13 1/16	3/4
							>5 1/2	21 7/16	10 1/2	15 7/16	
19 - 34	14 7/16	2	5/8	2	12 7/16	8 9/16	≤ 5	26 15/16	8 1/2	19 7/8	1 1/4
							>5 1/2	31 1/16	12 5/8	22	
35 - 49	17 7/16	2 1/2	11/16	3	13 3/4	9 13/16	≤ 6	31 9/16	9 1/2	25 5/8	1 3/4
							>6 1/2	39 9/16	17 1/2	30 1/8	
50 - 63	26 3/16	3	15/16	4	17 11/16	11 1/4	≤ 8	45 9/16	13 3/8	30 11/16	2 1/4
							8 1/2 to 11	53 9/16	21 3/8	30 11/16	
							>11 1/2	53 9/16	21 3/8	36	
64 - 74	35 3/4	4	3 1/4	4 1/2	22 3/16	11	≤ 10 1/2	57 1/2	13 3/4	42 3/8	2 3/4
							>11	63	19 1/4	42 1/2	
75 - 83	35 3/4	4 1/2	3 5/8	5	27 3/16	11	≤ 10 1/2	57 1/2	12 3/4	45 3/4	3 1/4
							>11	63	18 1/4	45 7/8	
84-110	See Page #29										

"A"-Rod and "K"-Hole Selection Chart

Loads (lbs)	0 800	801 1500	1501 2540	2541 4000	4001 6100	6101 9400	9401 13400	13401 18300	18301 24700	24701 31000	31001 39000	39001 48000	48001 58000
A Rod Size	1/2	5/8	3/4	1	1 1/4	1 1/2	1 3/4	2	2 1/4	2 1/2	2 3/4	3	3 1/4**
K-Hole Size	11/16	13/16	15/16	1 1/4	1 1/2	1 3/4	2	2 3/8	2 5/8	2 7/8	3 1/8	3 3/8	3 5/8
R	1 1/4	1 1/4	1 1/4	1 1/2	2	2 1/2	2 1/2	3	3	4	4	4	4 1/2
S	7/8	1 1/16	1 1/4	1 5/8	2	2 3/8	2 5/8	2 7/8	3 1/8	3 5/8	3 5/8	3 7/8	4 1/8
T	1/4*	1/4*	3/8	1/2	5/8	3/4	3/4		3/4	1	1	1	1
W	2 1/2	2 1/2	2 1/2	3	4	5	5	6	6	8	8	8	9

* 3/8 for single rod suspension ** 3 1/4 inch is furnished with 8 UN series thread.