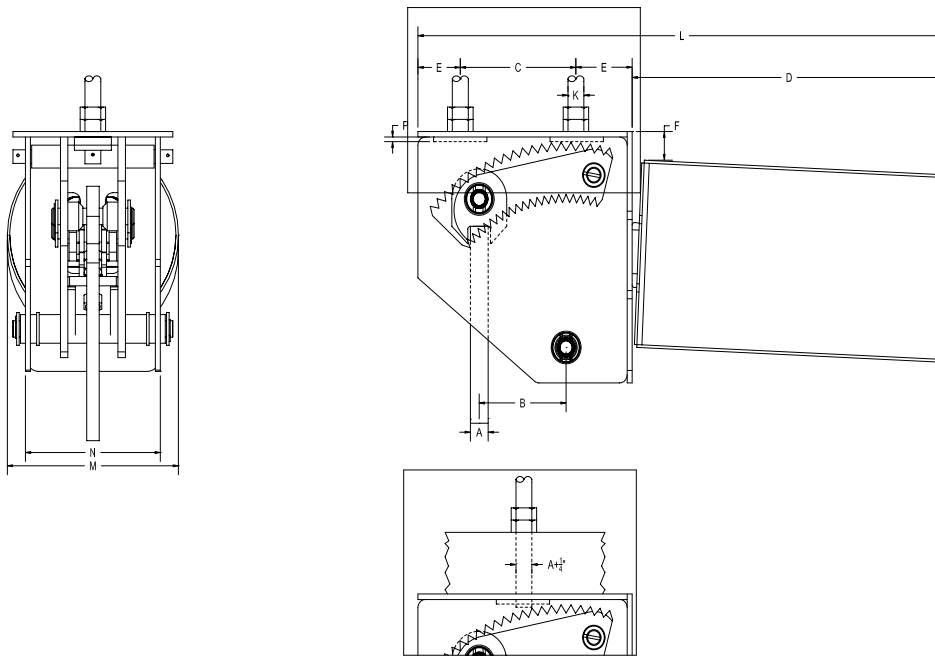


RCS-81H Type A



The RCS-81H "TYPE A" is specially designed for mounting on a supporting member by means of attaching two(2) rods into the tapped holes in the constant support's top cap. A distance equal to the "P" dimension plus 3/8". Available in most types of finishes.

Hanger Sizes	D	E	F	M	N	P	Total Travel (in.)	L	C	Factors	A (max.)
1 - 9	8 7/16	1	7/8	6 1/8	4 1/8	13/16	≤ 4	13 15/16	6	12 3/4	1/2
							>4 1/2	17 15/16	10	15 5/16	
10 - 18	8 7/16	1	1/2	8 5/16	6 7/16	11/16	≤ 5	18 7/16	8	10 7/8	3/4
							>5 1/2	21 7/16	11	13 1/4	
19 - 34	14 7/16	1 1/4	5/8	12 7/16	8 9/16	1 1/8	≤ 5	26 15/16	10	16 3/4	1 1/4
							>5 1/2	31 1/16	14 1/8	18 7/8	
35 - 49	17 7/16	1 3/4	11/16	13 3/4	9 13/16	1 3/8	≤ 6	31 9/16	11	21 1/8	1 3/4
							>6 1/2	39 9/16	19	25 3/4	
50 - 63	26 3/16	1 11/16	15/16	17 11/16	11 1/4	1 3/4	≤ 8	45 9/16	16	24 15/16	2 1/4
							8 1/2 to 11	53 9/16	24	24 15/16	
							>11 1/2	53 9/16	24	30 14	
64 - 74	35 3/4	3	3 1/4	22 3/16	11	3 7/16	≤ 10 1/2	57 1/2	15 3/4	34 7/16	2 3/4
							>11	63	21 1/4	34 9/16	
75 - 83	35 3/4	3 1/4	3 5/8	27 3/16	11	4 1/4	≤ 10 1/2	57 1/2	15 1/4	36 1/2	3 1/4
							>11	63	20 3/4	36 5/8	
84-110	See Page #29										

"A"-Rod and "K"-Hole Selection Chart

Loads (lbs)	0 800	801 1500	1501 2540	2541 4000	4001 6100	6101 9400	9401 13400	13401 18300	18301 24700	24701 31000	31001 39000	39001 48000	48001 58000
A Rod Size	1/2	5/8	3/4	1	1 1/4	1 1/2	1 3/4	2	2 1/4	2 1/2	2 3/4	3	3 1/4*

* 3 1/4 and larger are furnished with 8 UN series thread