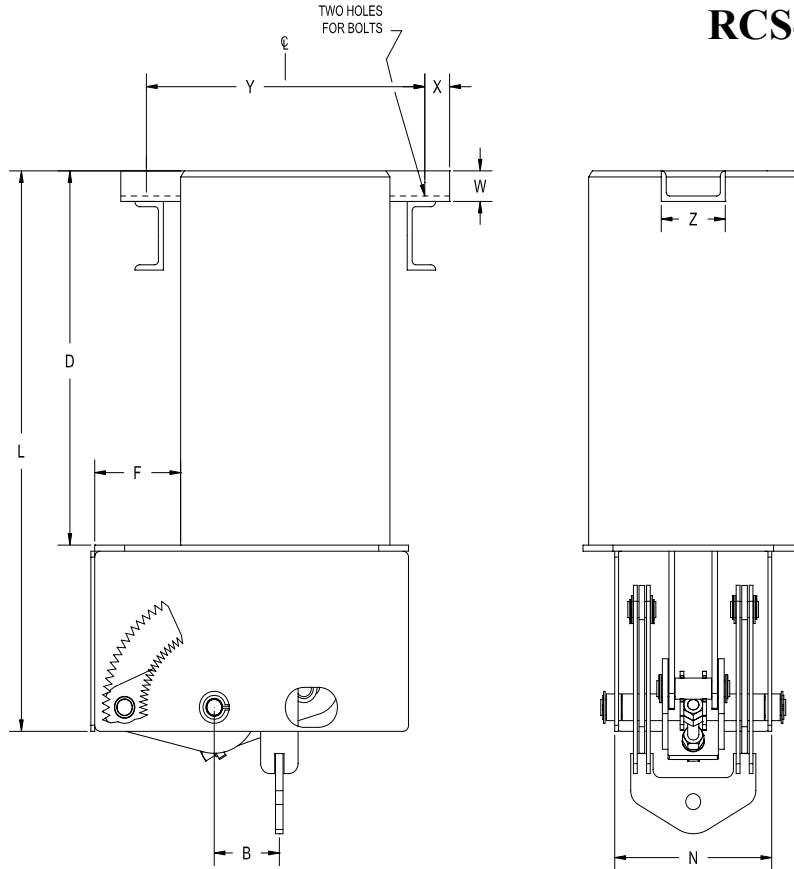


## RCS-80V Type D



The RCS-80V "TYPE D" is designed to lay on top of the beams or structural steel rather than attaching to the structures like the other "Constant Supports". Available in most types of finishes.

Hanger Sizes	L	D	F	M	N	Q	P	W	X	Y	Z	Bracket Hole Dia	Total Travel (in.)	Factors	A (max.)
10-18	18 7/8	8 7/8	2	8 5/8	6 7/8	1 3/8	4 15/16	2 3/8	1 1/2	10 3/4	3	3/4	≤ 5	15 1/2	3/4
													>5 1/2	17 3/16	
19-34	28 1/2	16	2 1/8	12 3/4	8 9/16	1 5/8	12 1/2	2 3/8	1 1/2	14 7/8	3	7/8	≤ 5	26 11/16	1 1/4
													>5 1/2	28 13/16	
35-49	32 3/4	18 1/4	4 3/4	14	9 13/16	2 1/2	13 1/4	2 5/8	2	16 3/4	4	1 1/8	≤ 6	31 1/4	1 3/4
													>6 1/2	35 7/8	
50-63	46 7/8	28 1/8	8 5/16	18	11 1/4	3	24 1/2	2 7/8	3	21	6	1 3/8	≤ 11	45 9/16	2 1/4
													>11 1/2	50 7/8	
64-74	Available Fig. 81-H only.														
84-110	Not Available														
A-rod Selection Chart															
Loads (lbs)	0 800	801 1500	1501 2540	2541 4000	4001 6100	6001 9400	9401 13400	13401 18300	18301 24700						
A-Rod Size	1/2	5/8	3/4	1	1 1/4	1 1/2	1 3/4	2	2 1/4						