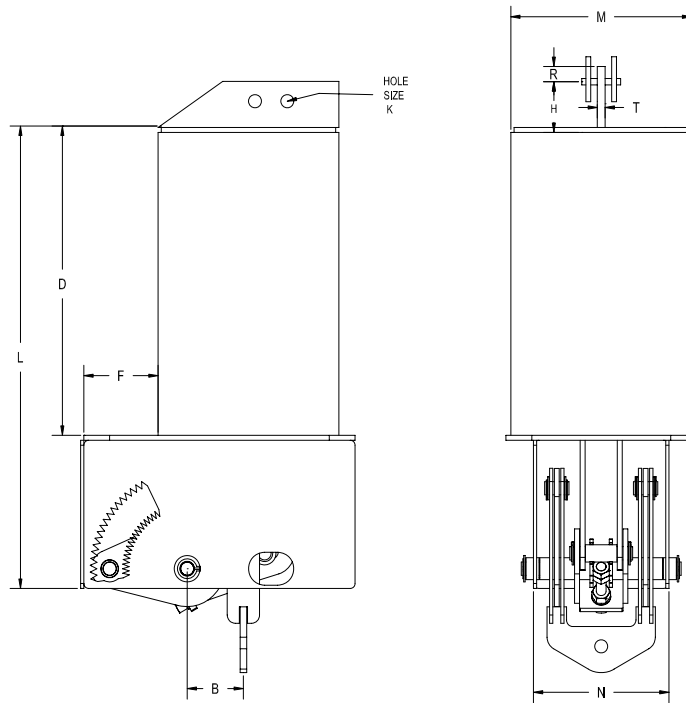


## RCS-80V Type B



The RCS-80V "TYPE B" is manufactured with one lug to accommodate attachment to the building structure and allowing for the use of various types of attachments. (Example: RILCO Part# 100, or Part# 290.) Available in most types of finishes.

Hanger Sizes	L	D	F	H	I	M	N	Q	R	T	Total Travel (in.)	Factors	A (max.)
10-18	18 7/8	8 7/8	2	1 1/2	-	8 5/8	6 7/16	1 3/8	1.5	3/8	≤ 5	19 5/16	3/4
											>5 1/2	21 5/8	
19-34	28 1/2	16	2 1/8	2	-	12 3/4	8 9/16	1 5/8	1.5	5/8	≤ 5	31 1/16	1 1/4
											>5 1/2	33 3/16	
35-49	32 3/4	18 1/4	4 3/4	3	-	14	9 13/16	2 1/2	-	3/4	≤ 6	36 7/8	1 3/4
											>6 1/2	41 1/2	
50-63	46 7/8	28 1/8	8 5/16	4	-	18	11 1/4	3	-	1	≤ 11	52 1/2	2 1/4
											>11 1/2	57 3/4	
64-74	60 1/2	37 1/4	1 3/16	4 1/2	25 3/8	22 3/16	11	-	3	2	≤10 1/2	77 1/4	2 3/4
											> 11	77 3/8	
75-83	61 1/4	38	1 1/2	3 5/8	25 3/8	27 3/16	11	-	3.75	2 1/2	≤10 1/2	77 15/16	3 1/4
											> 11	78 1/16	

84-110 See Page #22

### A-Rod Selection Chart

Loads (lbs)	0 800	801 1500	1501 2540	2541 4000	4001 6100	6101 9400	9401 13400	13401 18300	18301 24700	24701 31000	31001 39000	39001 48000	48001 58000
A-Rod Size	1/2	5/8	3/4	1	1 1/4	1 1/2	1 3/4	2	2 1/4	2 1/2	2 3/4	3	3 1/4*
K-Hole	11/16	13/16	15/16	1 1/4	1 1/2	1 3/4	2	2 3/8	2 5/8	2 7/8	3 1/8	3 3/8	3 5/8

\* 3 3/4" is furnished with 8 UN series thread.