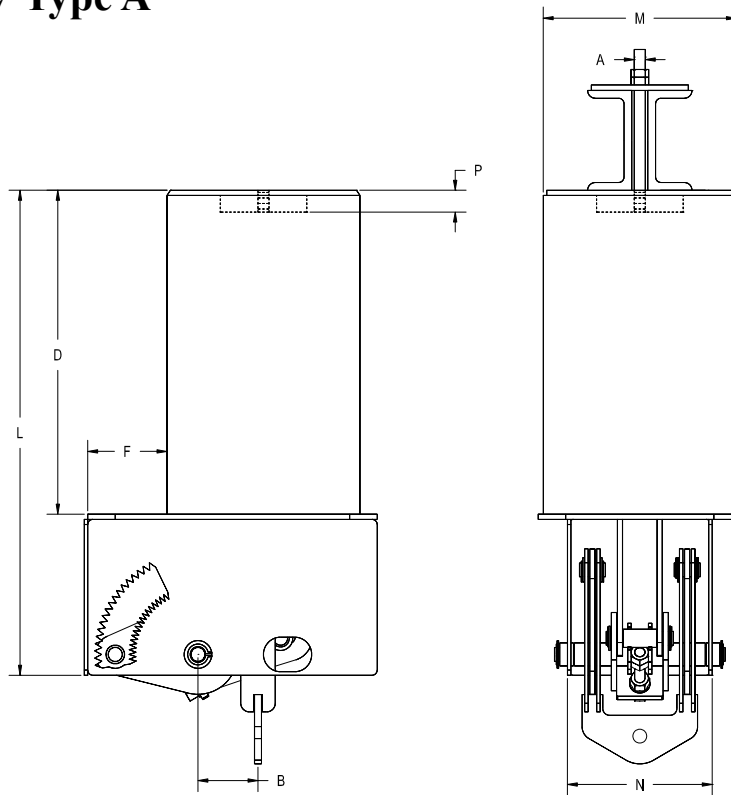


## RCS-80V Type A



The RCS-80V "TYPE A" is specially fabricated for mounting on a supporting member by means of attaching a rod into the tapped hole in the constant support's top cap. A distance equal to the "P" dimension plus 3/8". Available in most types of finishes.

Hanger Sizes	L	D	F	I	M	N	P	Q	Total Travel (in.)	Factors	A-rod (max.)
10-18	18 7/8	8 7/8	2	-	8 5/8	6 7/16	7/8	1 3/8	≤ 5	16 15/16	3/4
									>5 1/2	19 1/4	
19-34	28 1/2	16	2 1/8	-	12 3/4	8 9/16	1 1/8	1 5/8	≤ 5	27 15/16	1 1/4
									>5 1/2	30 1/16	
35-49	32 3/4	18 1/4	4 3/4	-	14	9 13/16	1 1/2	2 1/2	≤ 6	32 3/8	1 3/4
									>6 1/2	37	
50-63	46 7/8	28 1/8	8 5/16	-	18	11 1/4	2	3	≤ 11	46 1/2	2 1/4
									>11 1/2	51 3/4	
64-74	67 1/2	44 1/4	1 3/16	25 3/8	22 3/16	11	2 1/2	-	≤10 1/2	77 5/8	2 3/4
									>11	77 3/4	
75-83	69 1/2	46 1/4	1 1/2	25 3/8	27 3/16	11	3	-	≤10 1/2	78 3/16	3 1/4
									>11	78 5/16	
84-110	See Page #22										

"Type A"-Rod Selection Chart

Loads (lbs)	0 800	801 1500	1501 2540	2541 4000	4001 6100	6101 9400	9401 13400	13401 18300	18301 24700	24701 31000	31001 39000	39001 48000	48001 58000
A-Rod size	1/2	5/8	3/4	1	1 1/4	1 1/2	1 3/4	2	2 1/4	2 1/2	2 3/4	3	3 1/4*

\* 3 3/4" is furnished with 8 UN series thread.