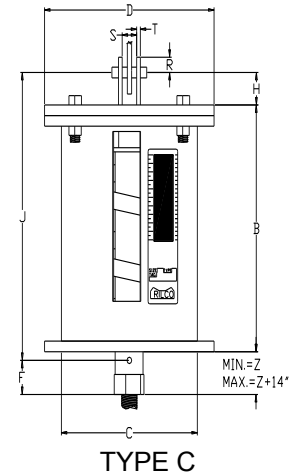
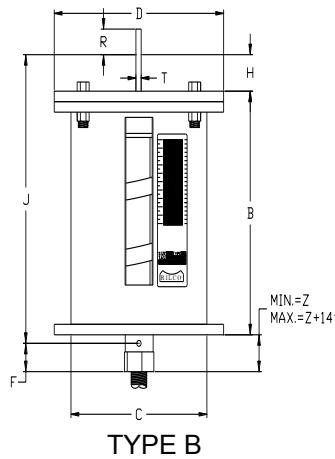
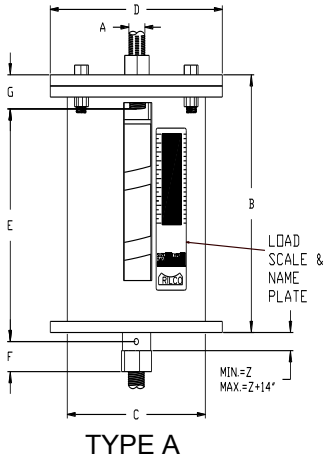


Part # RVS-268

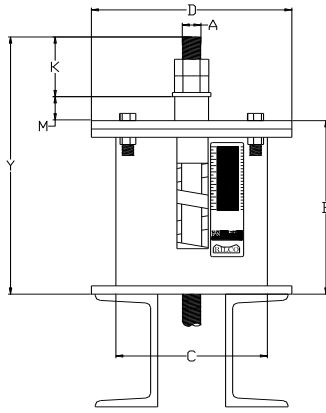


The RILCO RVS-268 is the spring upon which all the other RILCO RVS spring designs are based. The compact design enables this spring to work in a wide range of applications. The interchangeability of parts between spring figures also allows these units to be the most cost effective means of providing support to piping systems and other vertical displacement applications.

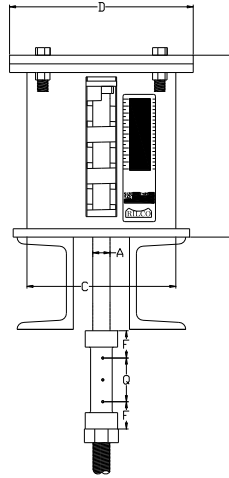
The RVS-268 provides a recommended maximum of 2-1/2" of movement, with a wide range of load carrying capability. On applications which require only a minimal amount of movement or are spaced restricted, the RVS-82 springs might better suit the designers' needs. Refer to the RVS-98, triple, or quadruple for instances which call for increased travel.

Weights (lbs) * Dimensions (inches)																				
Hanger Size	Rod Size "A"	R.H. Thread Length	Casing		Flange Dia. "D"	Min Thread Engage "F"	"Z"	Rod Take Out By Type				Type A Thread Depth "G"	Types B, C					Type D		
			Length "B"	Dia. "C"				A	B,C	E	G		Lug Hole Size	Pin Height "H"	"R"	Clevis Opening "S"	Thk. "T"	Rod Length "Y"	Nut Allow. "K"	Hgt Spacer "M"
000	1/2	5	5-5/8	4	5-1/8	15/16	13/16	5-1/16	7	6	1-3/8	7/16	11/16	1-1/2	1-1/4	7/8	1/4	10	1-1/4	3-1/8
00	1/2	5	7-9/16	4	5-1/8	15/16	1-3/16	7-3/8	9-1/2	6	1-3/4	7/16	11/16	1-1/2	1-1/4	7/8	1/4	11-3/4	1-1/4	3-1/8
0	1/2	5	6-11/16	4	5-1/8	15/16	3/4	6-1/16	8	6	1-5/16	7/16	11/16	1-1/2	1-1/4	7/8	1/4	11-11/16	1-1/4	3-1/8
1	1/2	5	7-9/16	4	5-1/8	15/16	3/4	6-15/16	8-7/8	6	1-5/16	7/16	11/16	1-1/2	1-1/4	7/8	1/4	11-15/16	1-1/4	3-1/8
2	1/2	5	8-5/16	4	5-1/8	15/16	1	7-15/16	9-7/8	6	1-9/16	7/16	11/16	1-1/2	1-1/4	7/8	1/4	12-11/16	1-1/4	3-1/8
3	1/2	5	7-15/16	5-9/16	6-15/16	15/16	1	7-9/16	9-1/2	6	2-1/16	7/16	11/16	1-1/2	1-1/4	7/8	1/4	11-11/16	1-1/4	3-1/8
4	1/2	5	7-15/16	5-9/16	6-15/16	15/16	1-3/8	7-15/16	9-7/8	6	2-7/16	7/16	11/16	1-1/2	1-1/4	7/8	1/4	12-5/16	1-1/4	3-1/8
5	1/2	5	8-5/8	5-9/16	6-15/16	15/16	11/16	7-15/16	9-7/8	6	1-3/4	7/16	11/16	1-1/2	1-1/4	7/8	1/4	13	1-1/4	3-1/8
6	5/8	5	8-13/16	6-5/8	8-3/8	15/16	9/16	7-13/16	9-15/16	6	1-5/8	5/8	13/16	1-1/2	1-1/4	1-1/16	1/4	13-5/16	1-1/2	3
7	5/8	5	10	6-5/8	8-3/8	15/16	5/8	9-1/16	11-3/16	6	1-11/16	5/8	13/16	1-1/2	1-1/4	1-1/16	1/4	14-1/4	1-1/2	3
8	5/8	5	10	6-5/8	8-3/8	15/16	5/8	9-1/16	11-3/16	6	1-11/16	5/8	13/16	1-1/2	1-1/4	1-1/16	1/4	14-3/4	1-1/2	3
9	3/4	6	10-7/16	8-5/8	10-3/4	1-1/4	3/4	8-15/16	11-7/16	6	2-1/2	1	15/16	1-1/2	1-1/4	1-1/4	3/8	15-5/8	1-3/4	3
10	3/4	6	12-1/8	8-5/8	10-3/4	1-1/4	1-1/2	11-3/8	13-7/8	6	3-1/4	1	15/16	1-1/2	1-1/4	1-1/4	3/8	16-7/8	1-3/4	3
11	3/4	6	10-7/16	8-5/8	10-3/4	1-1/4	1-11/16	9-7/8	12-3/8	6	3-7/16	1	15/16	1-1/2	1-1/4	1-1/4	3/8	14-11/16	1-3/4	3
12	1	6	10-7/16	8-5/8	10-3/4	1-1/4	1-11/16	9-1/2	12-1/2	6	3-13/16	1	1-1/4	2	1-1/2	1-5/8	1/2	15-13/16	2-1/4	3
13	1	7	13-1/8	8-5/8	10-3/4	1-1/4	1/2	11-3/8	14-3/8	6	3-1/4	1	1/14	2	1-1/2	1-5/8	1/2	18-3/8	2-1/4	3
14	1-1/4	7	13-1/4	8-5/8	10-3/4	1-1/4	3/8	11-3/8	15-3/8	6	3-1/8	1	1-1/2	3	2	2	5/8	19-1/4	3	3
15	1-1/4	7	13-1/4	8-5/8	10-3/4	1-1/4	3/8	11-3/8	15-3/8	6	3-15/16	1	1-1/2	3	2	2	5/8	19-3/4	3	3
16	1-1/2	8	16-1/16	8-5/8	11-3/8	1-15/16	2-1/16	14-13/16	19-3/16	6	4-1/8	1-3/8	1-3/4	3	2-1/2	2-3/8	3/4	22-9/16	3-1/2	3
17	1-3/4	8	18-1/8	8-5/8	11-3/8	1-15/16	1-15/16	16-3/4	21-1/8	6	4	1-3/8	2	3	2-1/2	2-5/8	3/4	25-1/8	4	3
18	2	9	18-1/4	12-3/4	15-7/8	2-3/4	2-9/16	16	22-1/8	6	4	2-1/4	2-3/8	4	3	2-7/8	3/4	25-11/16	4-9/16	3
19	2-1/4	9	20-1/2	12-3/4	15-7/8	2-3/4	2-11/16	18-3/8	25	6	4-1/8	2-1/4	2-5/8	4-1/2	3	3-1/8	3/4	28-3/8	5	3
20	2-1/2	10	23-3/4	12-3/4	15-7/8	2-3/4	2-11/16	21-5/8	28-1/4	6	4-1/8	2-1/4	2-7/8	4-1/2	4	3-3/8	1	32-3/16	5-9/16	3
21	2-3/4	10	27-5/16	12-3/4	16-7/8	3-5/8	3-11/16	23-7/8	31-1/8	7	4-5/16	2-3/4	3-1/8	4-1/2	4	3-5/8	1	35-9/16	6-1/4	3
22	3	11	33-3/8	12-3/4	16-7/8	3-5/8	3-3/4	29-3/4	37-3/4	7	4-3/8	3	3-3/8	5	4	3-7/8	1	42	6-5/8	3

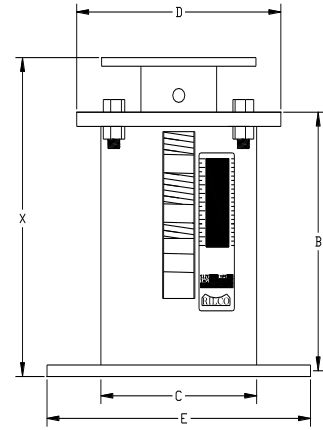
Part # RVS-268



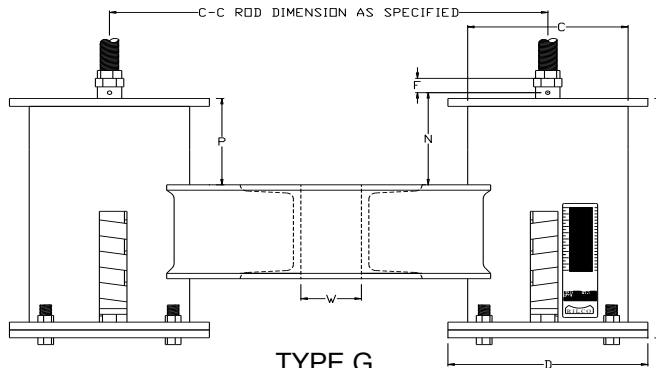
TYPE D



TYPE E



TYPE F



TYPE G

Weights (lbs) * Dimensions (inches)

Hanger Size	Type F										Type G				Weight				
	E' Bottom Flange		Bottom Flange		Load Col. Dia.	Load Flange		Length X		Channel Size	Max C-C	Space Between Channels-W	P	Type					
	Size Sq.	Bolt Circle	Bolts	Thick		Dia.	Thick	Min	Max					A	B,C	D,E	F	G	
000	7-1/2	7	8-3/4	5/8	1/4	1.900	3-7/8	3/16	7-3/8	9-3/8	C3 x 4.1	24	5/8	1-1/2	5	5	5	11	24
00	7-1/2	7	8-3/4	5/8	1/4	1.900	3-7/8	3/16	9-5/16	11-5/16	C3 x 4.1	24	5/8	1-1/2	6	6	6	12	26
0	7-1/2	7	8-3/4	5/8	1/4	1.900	3-7/8	3/16	8-7/16	10-11/16	C3 x 4.1	24	5/8	1-1/2	8	8	8	12	30
1	7-1/2	7	8-3/4	5/8	1/4	1.900	3-7/8	3/16	9-5/16	11-9/16	C3 x 4.1	24	5/8	1-1/2	8	9	7	14	31
2	7-1/2	7	8-3/4	5/8	1/4	1.900	3-7/8	3/16	10-1/16	12-5/16	C3 x 4.1	24	5/8	1-1/2	9	10	8	15	32
3	7-1/2	7-3/4	8-3/4	3/4	1/4	2.875	5-3/4	3/16	9-3/8	11-3/4	C3 x 4.1	30	3/4	2	14	14	11	23	41
4	7-1/2	7-3/4	8-3/4	3/4	1/4	2.875	5-3/4	3/16	9-3/4	11-15/16	C3 x 4.1	30	3/4	2	15	16	12	25	42
5	7-1/2	7-3/4	8-3/4	3/4	1/4	2.875	5-3/4	3/16	10-7/16	12-11/16	C3 x 4.1	30	3/4	2	16	17	14	26	43
6	9	8	10-7/8	3/4	3/8	3.50	6-3/8	1/4	10-11/16	12-3/4	C3 x 4.1	36	1	2	26	27	22	40	63
7	9	8	10-7/8	3/4	3/8	3.50	6-3/8	1/4	11-5/8	13-15/16	C3 x 4.1	36	1	2	29	30	25	46	69
8	9	8	10-7/8	3/4	3/8	3.50	6-3/8	1/4	11-15/16	14-1/8	C3 x 4.1	36	1	2	31	32	26	47	73
9	13-1/4	10-9/16	16-1/2	3/4	1/2	4.50	8-3/8	1/2	12-7/16	14-5/8	C4 x 5.4	36	1-1/4	3	65	66	51	91	143
10	13-1/4	10-9/16	16-1/2	3/4	1/2	4.50	8-3/8	1/2	13-5/8	16-5/16	C4 x 5.4	36	1-1/4	3	71	72	58	98	157
11	13-1/4	10-9/16	16-1/2	3/4	1/2	4.50	8-3/8	1/2	11-7/16	14-5/8	C4 x 5.4	36	1-1/4	3	65	66	51	90	145
12	13-1/4	10-9/16	16-1/2	3/4	1/2	4.50	8-3/8	1/2	12-1/4	14-5/8	C5 x 6.7	36	1-1/2	4	71	71	56	95	157
13	13-1/4	10-9/16	16-1/2	3/4	1/2	4.50	8-3/8	1/2	14-3/4	17-5/16	C5 x 6.7	36	1-1/2	4	89	89	73	115	195
14	13-1/4	10-9/16	16-1/2	3/4	1/2	4.50	8-3/8	1/2	15-1/4	17-5/16	C5 x 6.7	33	1-1/2	4	93	94	77	119	203
15	13-1/4	10-9/16	16-1/2	3/4	1/2	4.50	8-3/8	1/2	15-1/8	17-5/16	C6 x 10.5	36	1-1/2	4	111	114	88	130	250
16	13-1/4	10-9/16	16-1/2	3/4	1/2	2.00	8-3/8	1/2	17-5/8	20-7/16	C8 x 11.5	36	2-1/8	4	133	138	107	150	298
17	13-1/4	10-9/16	16-1/2	3/4	1/2	2.00	8-3/8	1/2	19-3/4	22-1/2	C8 x 11.5	36	2-1/8	4	162	168	133	173	354
18	17-1/4	15-3/4	22	3/4	5/8	2.50	12-1/2	1/2	19-3/8	21-9/16	C12 x 20.7	42	2-3/8	4	330	331	262	343	690
19	17-1/4	15-3/4	22	3/4	5/8	2.50	12-1/2	1/2	21-5/8	23-13/16	C12 x 20.7	42	2-5/8	4	376	378	300	380	783
20	17-1/4	15-3/4	22	3/4	5/8	2.50	12-1/2	1/2	25-1/2	27-1/2	C12 x 20.7	40	2-7/8	4	480	486	370	471	993
21	17-1/4	15-3/4	22	3/4	5/8	3.00	12-1/2	1/2	27-13/16	31-15/16	C15 x 33.9	48	3-1/8	4	556	568	455	496	1197
22	17-1/4	15-3/4	22	3/4	5/8	3.00	12-1/2	1/2	33-7/8	38	C15 x 33.9	48	3-3/8	4	705	714	505	654	1496