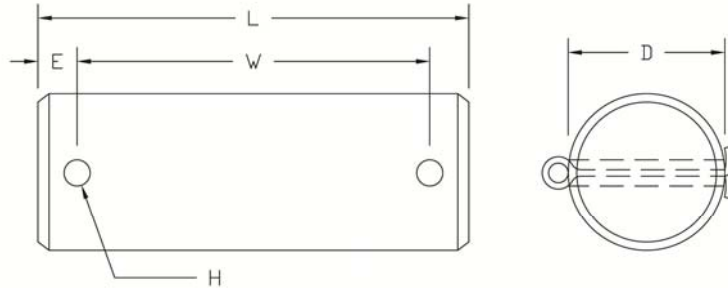
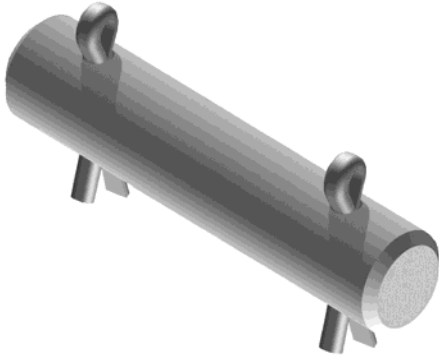


## Part # 289

## Clevis Pin with Cotters



**SIZE RANGE:** 1/2" to 4" inches.

**MATERIAL TYPES:** Carbon Steel

**FINISH:** Black, Galvanized, or coated to customer specifications.

**APPLICATIONS:** For use with type C variable spring hanger, type C constant support (Fig. 81-H only) and Part #100 welded beam attachment.

**ORDERING:** Specify pin diameter, part number, name, and finish.

## Load (lbs) • Weight (lbs) • Dimensions (inches)

Pin Diameter (D)	*Maximum Load	Weight	L	W	E	H	Cotter Pin Size
1/2	730	.12	2 7/8	2 1/8	3/8	5/32	1/8 X 1 1/4
5/8	1350	.18	3 1/8	2 3/8	3/8		
3/4	2160	.29	3 5/8	2 7/8	3/8	7/32	3/16 X 1 1/2
7/8	3230	.47	4	3 1/4	3/8		
1	4480	.67	4	3 1/4	3/8		
1 1/8	5900	1.0	4 3/4	4	3/8	9/32	1/4 X 2
1 1/4	7410	1.7	4 7/8	4 1/4	3/8		
1 3/8	9500	2.1	5 3/8	4 3/8	1/2	3/8	1/4 X 2
1 5/8	13800	3.3	6	5	1/2		
1 7/8	18600	4.8	7 1/8	5 7/8	5/8		
2 1/4	24600	7.2	7 1/8	5 7/8	5/8		
2 1/2	32300	9.3	7 5/8	6 3/8	5/8	1/2	3/8 X 4
2 3/4	39800	12.5	7 7/8	5 5/8	5/8		
3	49400	16.6	8 1/4	6 3/4	3/4		
3 1/4	60100	20.0	8 1/2	7	3/4	1/2	1/2 X 5
3 1/2	71900	23.9	8 3/4	7 1/4	3/4		
3 3/4	84700	25.1	9 1/2	8	3/4		
4	98500	34.8	9 3/4	8 1/4	3/4		1/2 X 6

\* Based on the allowable stresses shown in the ASME Code for Pressure Piping.